

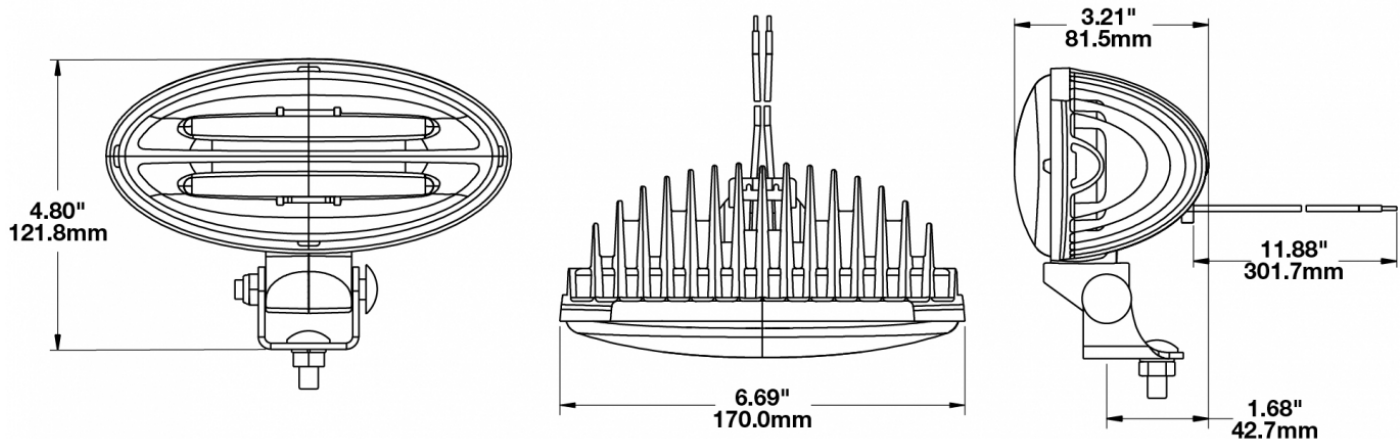
# LED Work Light - Model 660

## PRODUCT INFORMATION

<b>Description</b>	12-24V LED Work Light with Flood Beam Pattern & Pedestal Mount
<b>Height</b>	121.92 mm / 4.8 in
<b>Width</b>	169.93 mm / 6.69 in
<b>Depth</b>	81.53 mm / 3.21 in
<b>Shape</b>	Oval
<b>Outer Lens Material</b>	Glass
<b>Outer Lens Color</b>	Clear
<b>Housing Material</b>	Die-Cast Aluminum
<b>Housing Color</b>	Black
<b>Mounting Hardware Description</b>	(x1) M8-1.25 x 20mm Mounting Bolt
<b>Mounting Type</b>	Universal Pedestal Mount
<b>Minimum Operating Temperature</b>	-40 °C / -40 °F
<b>Maximum Operating Temperature</b>	65 °C / 149 °F
<b>Mating Connector</b>	Packard (#12059183)
<b>Product Weight</b>	1.45 lbs / 0.66 kgs
<b>Shipping Weight</b>	2.69 lbs / 1.22 kgs



## PRODUCT DIMENSIONS



Print date: 2018-01-16

© 2018 J.W. Speaker Corporation • Germantown, WI U.S.A.  
[www.jwspeaker.com](http://www.jwspeaker.com) • [speaker@jwspeaker.com](mailto:speaker@jwspeaker.com) • 262.251.6660

**J.W. SPEAKER**   
 Engineered. Lighting. Solutions.

# LED Work Light - Model 660

## ELECTRICAL SPECIFICATIONS

<b>Input Voltage</b>	12-24V DC
<b>Operating Voltage</b>	9-28V DC
<b>Transient Spike Protection</b>	150V Peak @ 1 HZ-100 Pulses
<b>Red Wire</b>	Positive
<b>Black Wire</b>	Negative
<b>Current Draw</b>	2.0A @ 12V DC 1.0A @ 24V DC

## REGULATORY STANDARDS COMPLIANCE

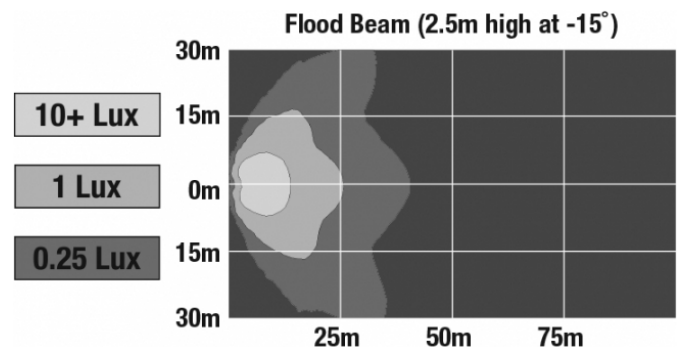


Buy America Standards  
IEC IP69K

Eco Friendly

## PHOTOMETRIC SPECIFICATIONS

<b>Raw Lumen Output</b>	2,750
<b>Effective Lumen Output</b>	2,200
<b>Nominal LED Color Temperature</b>	5000 K
<b>Beam Pattern(s)</b>	Forward Lighting - Flood (Standard)



Print date: 2018-01-16

© 2018 J.W. Speaker Corporation • Germantown, WI U.S.A.  
www.jwspeaker.com • speaker@jwspeaker.com • 262.251.6660

# LED Work Light - Model 660

## APPLICATIONS

---



## RELATED PRODUCTS

---



**Part Number**

**0548521**

12-24V LED Work Light  
with Flood Beam  
Pattern & Panel Mount