

# LED Work Light - Model 526

## PRODUCT INFORMATION

<b>Description</b>	12-24V LED Work Light with Black Housing, Polycarbonate Lens & Flood Beam Pattern
<b>Height</b>	160.02 mm / 6.3 in
<b>Width</b>	157.48 mm / 6.2 in
<b>Depth</b>	96.52 mm / 3.8 in
<b>Shape</b>	Square
<b>Outer Lens Material</b>	Polycarbonate
<b>Outer Lens Color</b>	Clear
<b>Housing Material</b>	Die-Cast Aluminum
<b>Housing Color</b>	Black
<b>Mounting Hardware Description</b>	(x1) M10-1.5 x 25 Mounting Bolt
<b>Mounting Type</b>	Universal Pedestal Mount
<b>Minimum Operating Temperature</b>	-40 °C / -40 °F
<b>Maximum Operating Temperature</b>	65 °C / 149 °F
<b>Connector or Wiring</b>	iCONN Connector - iMATE23
<b>Product Weight</b>	0.00 lbs / 0 kgs
<b>Shipping Weight</b>	5.00 lbs / 2.27 kgs



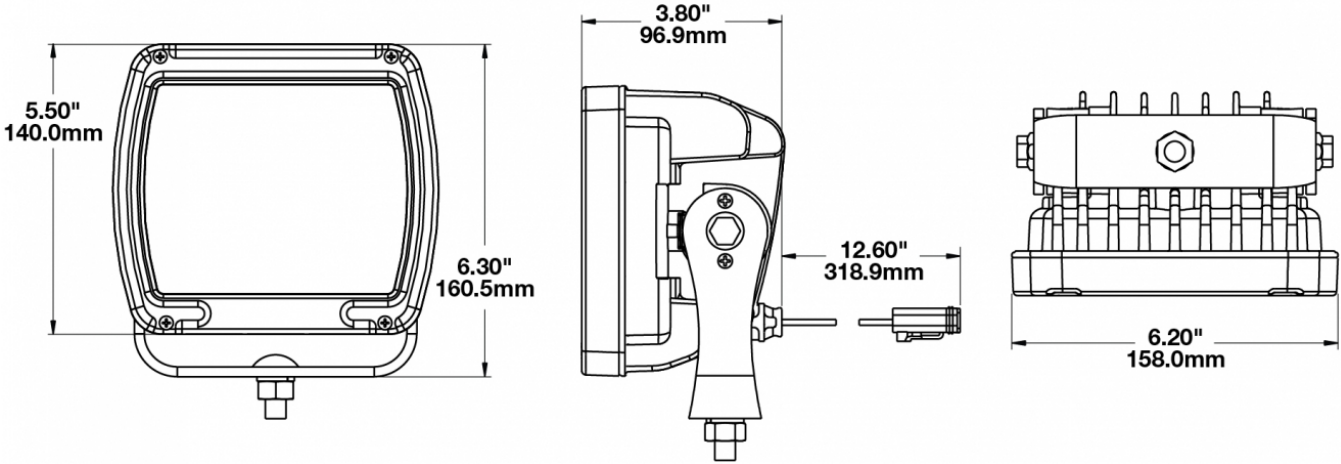
Print date: 2018-11-15

© 2018 J.W. Speaker Corporation • Germantown, WI U.S.A.  
[www.jwspeaker.com](http://www.jwspeaker.com) • [speaker@jwspeaker.com](mailto:speaker@jwspeaker.com) • 262.251.6660

**J.W. SPEAKER**   
 Engineered. Lighting. Solutions.

# LED Work Light - Model 526

## PRODUCT DIMENSIONS



## ELECTRICAL SPECIFICATIONS

<b>Input Voltage</b>	12-24V DC
<b>Operating Voltage</b>	10-32V DC
<b>Red Wire</b>	Positive
<b>Black Wire</b>	Negative
<b>Current Draw</b>	9.00A @ 12V DC 5.00A @ 24V DC

## REGULATORY STANDARDS COMPLIANCE



Buy America Standards  
IEC IP69K

Eco Friendly

Print date: 2018-11-15

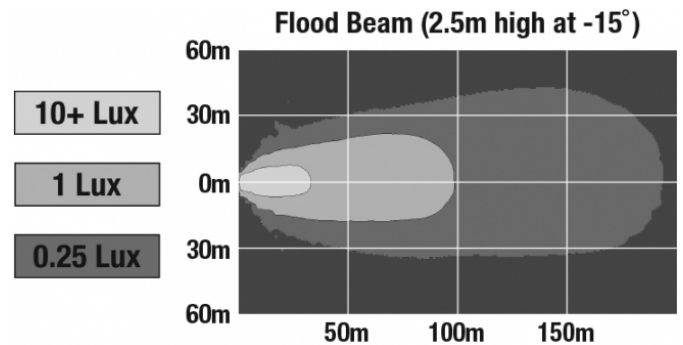
© 2018 J.W. Speaker Corporation • Germantown, WI U.S.A.  
www.jwspeaker.com • speaker@jwspeaker.com • 262.251.6660



# LED Work Light - Model 526

## PHOTOMETRIC SPECIFICATIONS

<b>Raw Lumen Output</b>	9,000
<b>Effective Lumen Output</b>	5,800
<b>Nominal LED Color Temperature</b>	5700 K
<b>Beam Pattern(s)</b>	Forward Lighting - Flood (Standard)



## APPLICATIONS



Print date: 2018-11-15

© 2018 J.W. Speaker Corporation • Germantown, WI U.S.A.  
www.jwspeaker.com • speaker@jwspeaker.com • 262.251.6660

# LED Work Light - Model 526

## RELATED PRODUCTS

---



**Part Number**  
**1300051**

12-24V LED Work Light with Yellow Housing, Glass Lens & Anti-Glare Beam Pattern



**Part Number**  
**1300061**

12-24V LED Work Light with Yellow Housing, Glass Lens & Flood Beam Pattern



**Part Number**  
**1300071**

12-24V LED Work Light with Yellow Housing, Glass Lens & Trapezoid Beam Pattern



**Part Number**  
**1300081**

12-24V LED Work Light with Yellow Housing, Glass Lens & Spot Beam Pattern



**Part Number**  
**1300191**

12-24V LED Work Light with Yellow Housing, Polycarbonate Lens & Anti-Glare Beam Pattern



**Part Number**  
**1300201**

12-24V LED Work Light with Yellow Housing, Polycarbonate Lens & Flood Beam Pattern



**Part Number**  
**1300211**

12-24V LED Work Light with Yellow Housing, Polycarbonate Lens & Trapezoid Beam Pattern



**Part Number**  
**1300221**

12-24V LED Work Light with Yellow Housing, Polycarbonate Lens & Spot Beam Pattern