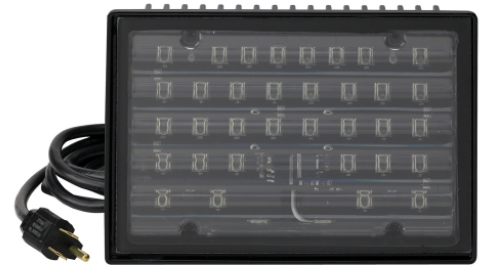


LED Work Light - Model 524

PRODUCT INFORMATION

| | |
|--------------------------------------|---|
| Description | 12-24V LED Work Light with Wide Flood Beam Pattern |
| Height | 155.70 mm / 6.13 in |
| Width | 220.98 mm / 8.7 in |
| Depth | 66.04 mm / 2.6 in |
| Shape | Rectangular |
| Outer Lens Material | Glass |
| Outer Lens Color | Clear |
| Housing Material | Die-Cast Aluminum |
| Housing Color | Black |
| Mounting Type | Flush Mount |
| Minimum Operating Temperature | -40 °C / -40 °F |
| Maximum Operating Temperature | 65 °C / 149 °F |
| Connector or Wiring | Integrated 2-Pin Deutsch Weather-Proof Socket (DT04-2P) |
| Mating Connector | 2-Pin Deutsch Weather-Proof Plug (DT06-2S) |
| Product Weight | 4.10 lbs / 1.86 kgs |
| Shipping Weight | 4.68 lbs / 2.12 kgs |



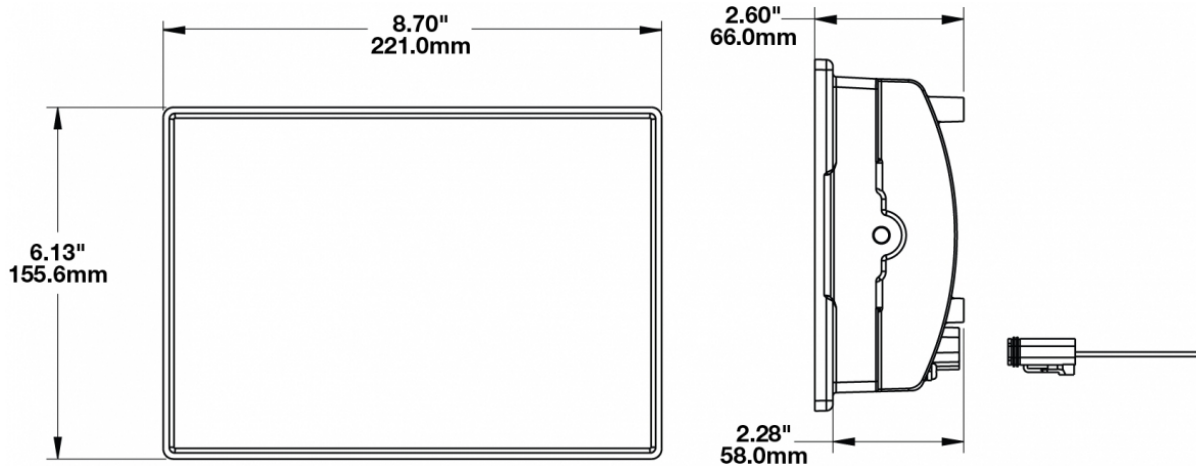
Print date: 2018-10-24

© 2018 J.W. Speaker Corporation • Germantown, WI U.S.A.
 www.jwspeaker.com • speaker@jwspeaker.com • 262.251.6660

J.W. SPEAKER
 Engineered. Lighting. Solutions.

LED Work Light - Model 524

PRODUCT DIMENSIONS



ELECTRICAL SPECIFICATIONS

| | |
|----------------------|--------------------------------|
| Input Voltage | 12-24V DC |
| Red Wire | Positive |
| Black Wire | Negative |
| Current Draw | 6.7A @ 12V DC 3.7A @ 24V DC |

REGULATORY STANDARDS COMPLIANCE



Buy America Standards
IEC IP67

Eco Friendly

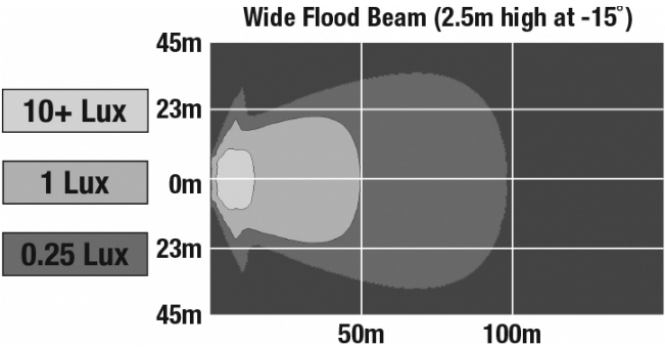
Print date: 2018-10-24

© 2018 J.W. Speaker Corporation • Germantown, WI U.S.A.
www.jwspeaker.com • speaker@jwspeaker.com • 262.251.6660

LED Work Light - Model 524

PHOTOMETRIC SPECIFICATIONS

Raw Lumen Output 8,100
Effective Lumen Output 3,900
Nominal LED Color Temperature 5000 K
Beam Pattern(s) Forward Lighting - Flood (Wide)



APPLICATIONS



Print date: 2018-10-24

© 2018 J.W. Speaker Corporation • Germantown, WI U.S.A.
www.jwspeaker.com • speaker@jwspeaker.com • 262.251.6660

