

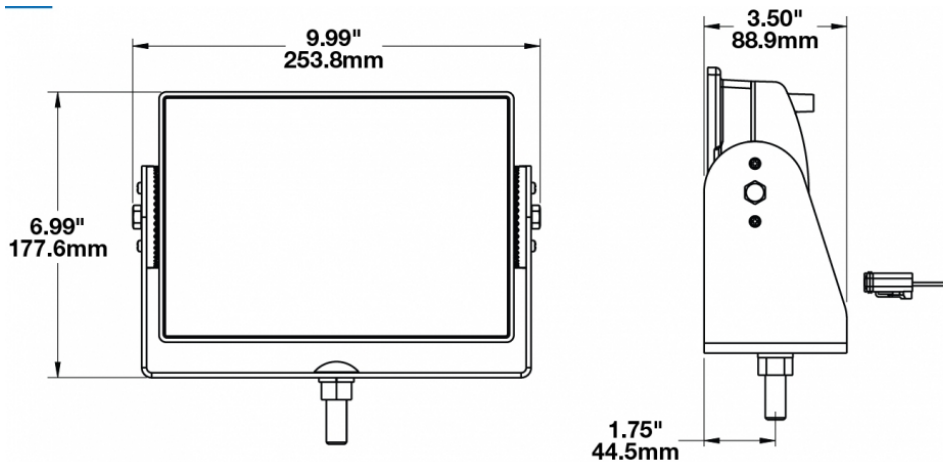
LED Work Light - Model 523

PRODUCT INFORMATION

Description	120V LED Work Light with Wide Flood Beam Pattern
Height	177.55 mm / 6.99 in
Width	253.75 mm / 9.99 in
Depth	88.90 mm / 3.5 in
Shape	Rectangular
Outer Lens Material	Glass
Outer Lens Color	Clear
Housing Material	Die-Cast Aluminum
Housing Color	Black
Mounting Hardware Description	(x1) 1/2"-Mounting Bolt
Mounting Type	Universal Pedestal Mount
Minimum Operating Temperature	-40 °C / -40 °F
Maximum Operating Temperature	65 °C / 149 °F
Connector or Wiring	Integrated NEMA 5-15 Plug (120V Version)
Product Weight	6.72 lbs / 3.05 kgs



PRODUCT DIMENSIONS



Print date: 2017-12-13

© 2017 J.W. Speaker Corporation • Germantown, WI U.S.A.
 www.jwspeaker.com • speaker@jwspeaker.com • 262.251.6660

J.W. SPEAKER
 Engineered. Lighting. Solutions.

LED Work Light - Model 523

ELECTRICAL SPECIFICATIONS

Input Voltage	120V AC
Operating Voltage	120V AC
Transient Spike Protection	150V Peak @ 1 HZ-10 Pulses
Red Wire	Positive
Black Wire	Negative
Current Draw	0.6A @ 120V AC

REGULATORY STANDARDS COMPLIANCE

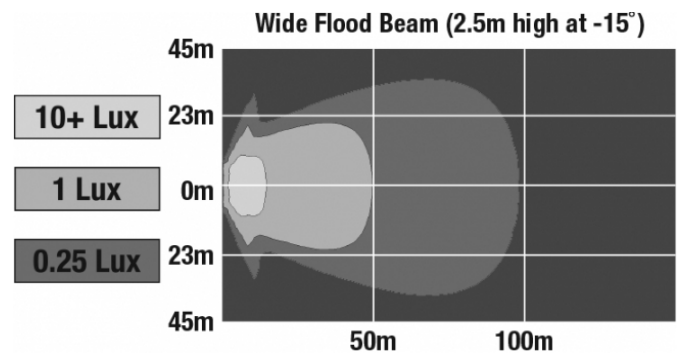


Buy America Standards
IEC IP67

Eco Friendly

PHOTOMETRIC SPECIFICATIONS

Raw Lumen Output	8,100
Effective Lumen Output	3,900
Nominal LED Color Temperature	4750 K
Beam Pattern(s)	Forward Lighting - Flood (Wide)



Print date: 2017-12-13

© 2017 J.W. Speaker Corporation • Germantown, WI U.S.A.
www.jwspeaker.com • speaker@jwspeaker.com • 262.251.6660

LED Work Light - Model 523

APPLICATIONS



RELATED PRODUCTS



Part Number
0544021
120V LED Work Light
Kit with Tripod



Part Number
0549631
12-24V LED Work Light
with Wide Flood Beam
Pattern & Yellow
Housing



Part Number
0549641
12-24V LED Work Light
with Narrow Flood
Beam Pattern & Yellow
Housing



Part Number
0551431
12-24V LED Work Light
with Medium Flood
Beam Pattern



Part Number
0551441
12-24V LED Work Light
with Narrow Flood
Beam Pattern



Part Number
0551451
12-24V LED Work Light
with Wide Flood Beam
Pattern