

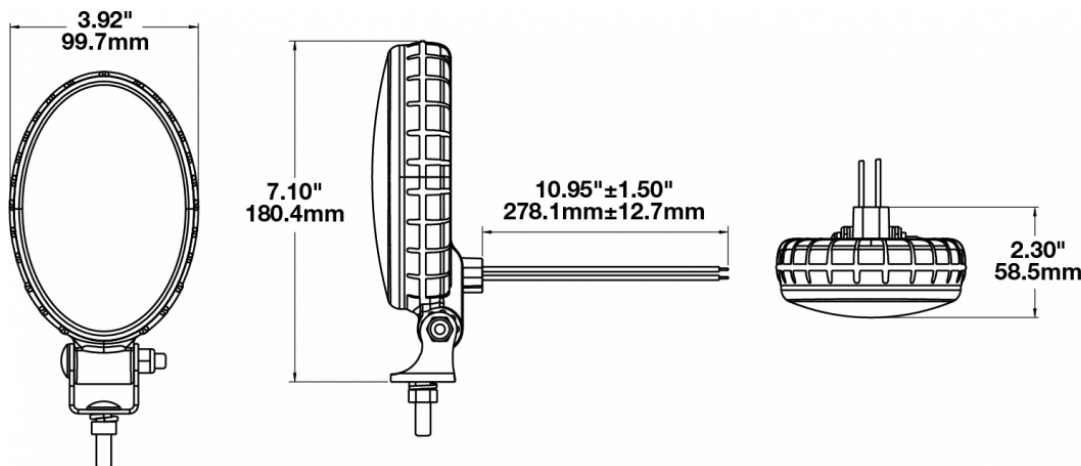
LED Work Light & Turn Signal - Model 775 XD

PRODUCT INFORMATION

Description	12-48V LED Work Light with Spot Beam & Turn Signal
Height	180.34 mm / 7.1 in
Width	99.57 mm / 3.92 in
Depth	58.42 mm / 2.3 in
Shape	Oval
Outer Lens Material	Polycarbonate
Outer Lens Color	Clear
Housing Material	Polycarbonate
Housing Color	Black
Mounting Hardware Description	(x1) 5/16"-18 x 1.00" Mounting Bolt
Mounting Type	Universal Pedestal Mount
Minimum Operating Temperature	-40 °C / -40 °F
Maximum Operating Temperature	65 °C / 149 °F
Connector or Wiring	2-Pin Deutsch Weather-Proof Plug (DT06-2S)
Product Weight	0.54 lbs / 0.24 kgs



PRODUCT DIMENSIONS



Print date: 2018-03-24

© 2018 J.W. Speaker Corporation • Germantown, WI U.S.A.
 www.jwspeaker.com • speaker@jwspeaker.com • 262.251.6660

J.W. SPEAKER®
 Engineered. Lighting. Solutions.

LED Work Light & Turn Signal - Model 775 XD

ELECTRICAL SPECIFICATIONS

Input Voltage	12-48V DC
Operating Voltage	9-60V DC
Transient Spike Protection	330V Peak @ 1 HZ-100 Pulses
Black Wire	Ground
White Wire	Worklight
Red Wire	Park
Yellow Wire	Turn
Current Draw	1.2A @ 12V DC 0.6A @ 24V DC 0.4A @ 36V DC 0.3A @ 48V DC

REGULATORY STANDARDS COMPLIANCE



Buy America Standards	CISPR 12
CISPR 22	ECE Reg 6
Eco Friendly	IEC IP67
UL Recognized	

Print date: 2018-03-24

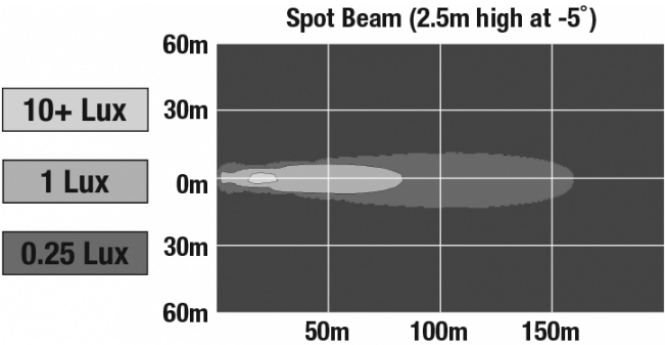
© 2018 J.W. Speaker Corporation • Germantown, WI U.S.A.
www.jwspeaker.com • speaker@jwspeaker.com • 262.251.6660

J.W. SPEAKER 
Engineered. Lighting. Solutions.

LED Work Light & Turn Signal - Model 775 XD

PHOTOMETRIC SPECIFICATIONS

Raw Lumen Output 600
Effective Lumen Output 400
Nominal LED Color Temperature 5000 K
Beam Pattern(s) Forward Lighting - Spot



APPLICATIONS



ACCESSORIES



Part Number
8200011
 Magnet Mount Kit for
 XD Series Work Lights



Part Number
8200101
 Stainless Steel
 Mounting Kit for Work
 Lights & Marine Lights

Print date: 2018-03-24

© 2018 J.W. Speaker Corporation • Germantown, WI U.S.A.
 www.jwspeaker.com • speaker@jwspeaker.com • 262.251.6660

