

LED Work Light - Model 783 XD

PRODUCT INFORMATION

Description	12-48V LED Work Light with Flood Beam Pattern & Mounting Bracket - Bulk Qty (18 MIN)
Height	54.10 mm / 2.13 in
Width	169.67 mm / 6.68 in
Depth	45.21 mm / 1.78 in
Shape	Rectangle
Outer Lens Material	Polycarbonate
Outer Lens Color	Clear
Housing Material	Polycarbonate
Housing Color	Black
Mounting Hardware Description	(x1) 3/8"-16 x 1.5" Mounting Bolt
Mounting Type	Universal Mount
Minimum Operating Temperature	-40 °C / -40 °F
Maximum Operating Temperature	65 °C / 149 °F
Connector or Wiring	Integral DT04-2P
Mating Connector	Deutsch DT06-2S
Product Weight	1.00 lbs / 0.45 kgs



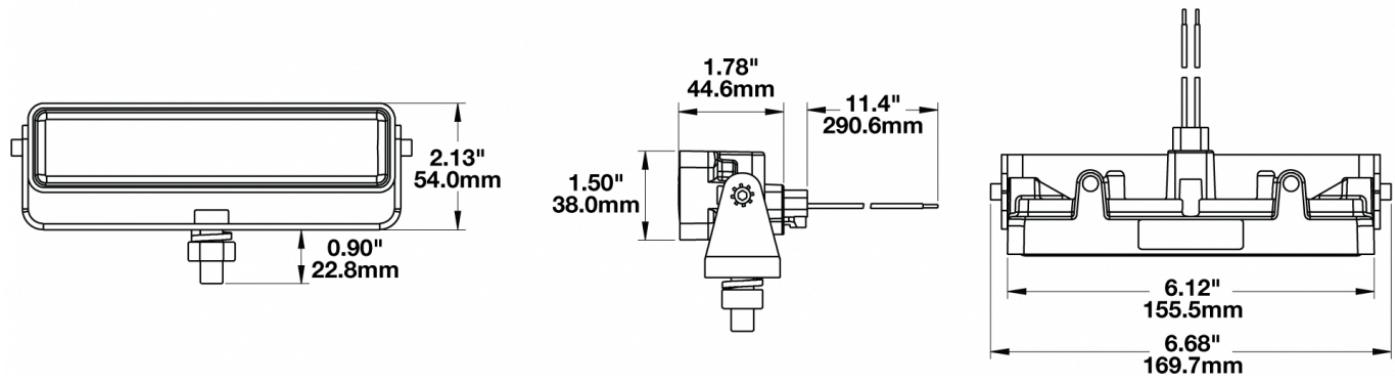
Print date: 2017-08-20

© 2017 J.W. Speaker Corporation • Germantown, WI U.S.A.
www.jwspeaker.com • speaker@jwspeaker.com • 262.251.6660

J.W. SPEAKER®
 Engineered. Lighting. Solutions.

LED Work Light - Model 783 XD

PRODUCT DIMENSIONS



ELECTRICAL SPECIFICATIONS

Input Voltage	12-48V DC
Operating Voltage	9-60V DC
Transient Spike Protection	330V Peak @ 1 HZ-100 Pulses
Red Wire	Positive
Black Wire	Negative
Current Draw	1.00A @ 12V DC (Flood) 0.50A @ 24V DC (Flood) 0.30A @ 36V DC (Flood) 0.25A @ 48V DC (Flood)

REGULATORY STANDARDS COMPLIANCE



Buy America Standards
IEC IP67

Eco Friendly
UL Recognized

Print date: 2017-08-20

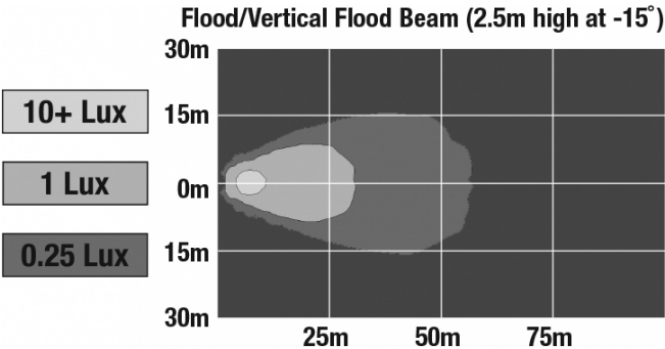
© 2017 J.W. Speaker Corporation • Germantown, WI U.S.A.
www.jwspeaker.com • speaker@jwspeaker.com • 262.251.6660

J.W. SPEAKER
Engineered. Lighting. Solutions.

LED Work Light - Model 783 XD

PHOTOMETRIC SPECIFICATIONS

Raw Lumen Output	675
Effective Lumen Output	485
Candela Output	1,409
Nominal LED Color Temperature	5000 K
Beam Pattern(s)	Forward Lighting - Flood (Medium)



APPLICATIONS



Print date: 2017-08-20

© 2017 J.W. Speaker Corporation • Germantown, WI U.S.A.
www.jwspeaker.com • speaker@jwspeaker.com • 262.251.6660



LED Work Light - Model 783 XD

RELATED PRODUCTS



Part Number
1603391

12-48V LED Work Light with Flood Beam Pattern & Mounting Bracket



Part Number
1603432

12-48V LED Work Light with Vertical Flood Beam Pattern & Mounting Bracket - Bulk Qty (18 MIN)



Part Number
1603442

12-48V LED Work Light with Vertical Flood Beam Pattern & No Mounting Bracket - Bulk Qty (18 MIN)



Part Number
1603451

12-48V LED Work Light with Vertical Flood Beam Pattern & Mounting Bracket



Part Number
1603462

12-48V LED Work Light with Flood Beam Pattern & No Mounting Bracket - Bulk Qty (18 MIN)



Part Number
1603472

12-48V LED Work Light with Flood Beam Pattern & No Mounting Bracket or Wire Harness - Bulk (18 MIN)