

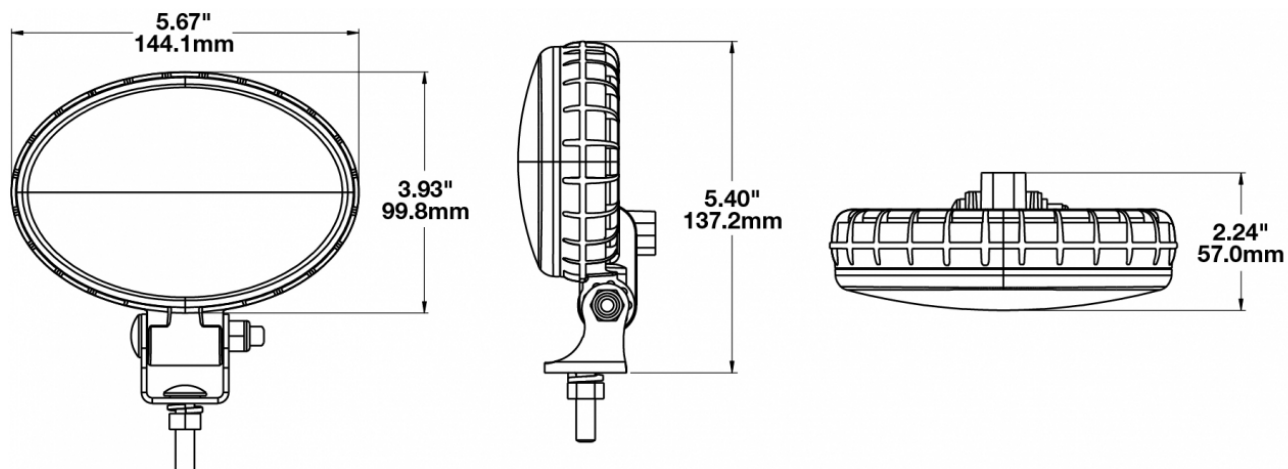
# LED Work Light - Model 774 XD

## PRODUCT INFORMATION

<b>Description</b>	12-48V LED RHT Work Light with Spot & Turn Pattern - Bulk Qty (24 MIN)
<b>Height</b>	99.82 mm / 3.93 in
<b>Width</b>	144.02 mm / 5.67 in
<b>Depth</b>	56.90 mm / 2.24 in
<b>Shape</b>	Oval
<b>Outer Lens Material</b>	Polycarbonate
<b>Outer Lens Color</b>	Clear
<b>Housing Material</b>	Polycarbonate
<b>Housing Color</b>	Black
<b>Mounting Hardware Description</b>	5/16"-18 x 1"
<b>Mounting Type</b>	Bottom Mount Bracket
<b>Minimum Operating Temperature</b>	-40 °C / -40 °F
<b>Maximum Operating Temperature</b>	65 °C / 149 °F
<b>Product Weight</b>	0.54 lbs / 0.24 kgs



## PRODUCT DIMENSIONS



Print date: 2018-11-17

© 2018 J.W. Speaker Corporation • Germantown, WI U.S.A.  
 www.jwspeaker.com • speaker@jwspeaker.com • 262.251.6660

**J.W. SPEAKER**  
 Engineered. Lighting. Solutions.

# LED Work Light - Model 774 XD

## ELECTRICAL SPECIFICATIONS

---

<b>Input Voltage</b>	12-48V DC
<b>Operating Voltage</b>	9-60V DC
<b>Transient Spike Protection</b>	330V Peak @ 1 HZ-100 Pulses
<b>Black Wire</b>	Ground
<b>White Wire</b>	Work Light
<b>Red Wire</b>	Park
<b>Yellow Wire</b>	Turn
<b>Current Draw</b>	.77A @ 12V DC (Work) .40A @ 24V DC (Work) .26A @ 36V DC (Work) .20A @ 48V DC (Work) .45A @ 12V DC (Turn) .24A @ 24V DC (Turn) .17A @ 36V DC (Turn) .14A @ 48V DC (Turn)

## REGULATORY STANDARDS COMPLIANCE

---



Buy America Standards

Eco Friendly

---

**Print date: 2018-11-17**

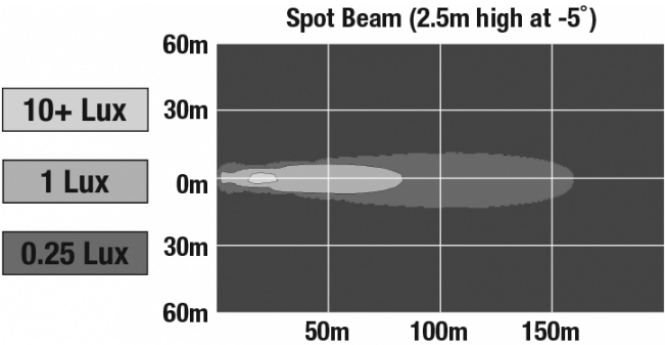
© 2018 J.W. Speaker Corporation • Germantown, WI U.S.A.  
www.jwspeaker.com • speaker@jwspeaker.com • 262.251.6660

**J.W. SPEAKER**   
Engineered. Lighting. Solutions.

# LED Work Light - Model 774 XD

## PHOTOMETRIC SPECIFICATIONS

Raw Lumen Output 660  
 Effective Lumen Output 440  
 Beam Pattern(s) Signalization - Turn (Front)



## APPLICATIONS



## RELATED PRODUCTS



**Part Number**  
**1706752**  
 12-48V LED LHT Work  
 Light with Spot & Turn  
 Pattern - Bulk Qty (24  
 MIN)

Print date: 2018-11-17

© 2018 J.W. Speaker Corporation • Germantown, WI U.S.A.  
 www.jwspeaker.com • speaker@jwspeaker.com • 262.251.6660

