

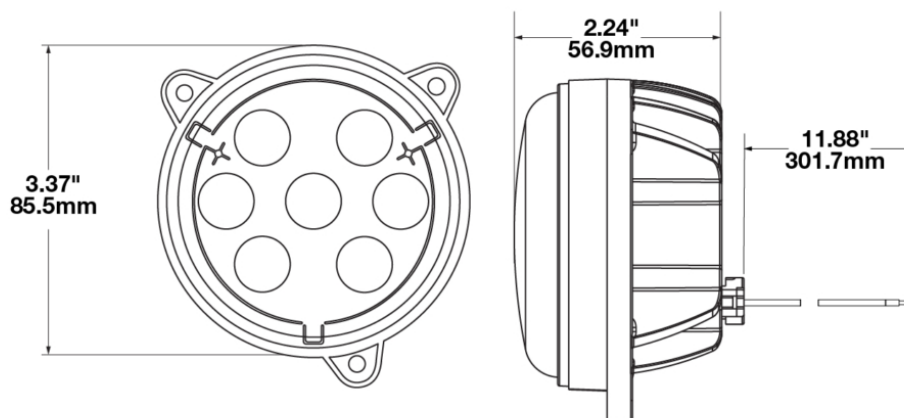
LED Work Light - Model 4415

PRODUCT INFORMATION

| | |
|--------------------------------------|--|
| Description | 12-24V LED Work Light with Flood Pattern & Panel Mount |
| Height | 110.00 mm / 4.33 in |
| Width | 85.20 mm / 3.35 in |
| Depth | 21.10 mm / 0.83 in |
| Shape | Round |
| Outer Lens Material | Polycarbonate |
| Outer Lens Color | Clear |
| Housing Material | Die-Cast Aluminum |
| Housing Color | Black |
| Mounting Type | Panel |
| Minimum Operating Temperature | -40 °C / -40 °F |
| Maximum Operating Temperature | 85 °C / 185 °F |
| Connector or Wiring | Packard# 12084167 |
| Mating Connector | Packard# 12059183 |
| Product Weight | 0.90 lbs / 0.41 kgs |
| Shipping Weight | 1.20 lbs / 0.54 kgs |



PRODUCT DIMENSIONS



Print date: 2018-03-18

© 2018 J.W. Speaker Corporation • Germantown, WI U.S.A.
www.jwspeaker.com • speaker@jwspeaker.com • 262.251.6660

J.W. SPEAKER 
 Engineered. Lighting. Solutions.

LED Work Light - Model 4415

ELECTRICAL SPECIFICATIONS

| | |
|--------------------------|----------------------------------|
| Input Voltage | 12-24V DC |
| Operating Voltage | 10-32V DC |
| Red Wire | Positive |
| Black Wire | Negative |
| Current Draw | 2.20A @ 12V DC 1.10A @ 24V DC |

REGULATORY STANDARDS COMPLIANCE

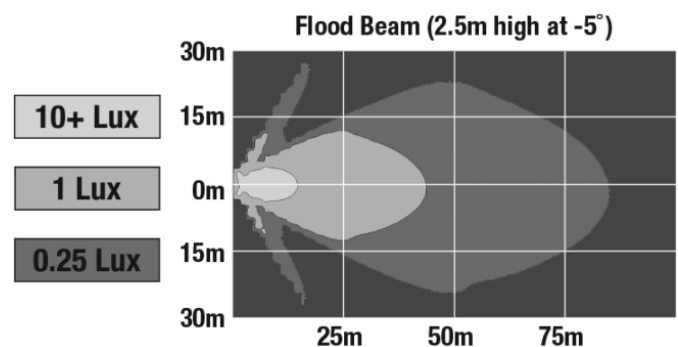


Buy America Standards

Eco Friendly

PHOTOMETRIC SPECIFICATIONS

| | |
|--------------------------------------|-------------------------------------|
| Raw Lumen Output | 2,450 |
| Effective Lumen Output | 1,350 |
| Nominal LED Color Temperature | 5000 K |
| Beam Pattern(s) | Forward Lighting - Flood (Standard) |



Print date: 2018-03-18

© 2018 J.W. Speaker Corporation • Germantown, WI U.S.A.
www.jwspeaker.com • speaker@jwspeaker.com • 262.251.6660

LED Work Light - Model 4415

APPLICATIONS



INSTALLATION & APPLICATION INFORMATION

Plug & Play for some Magnum and Steiger tractors.
Check with your local J.W. Speaker dealer for installation instructions

These lamps will bolt into the following CNH lamp assembly housing parts:
87455676
87455677
87308895

ACCESSORIES



Part Number
6149203
A-Pillar Mounting Kit
for Jeep JK



Part Number
6149233
A-Pillar Mounting Kit
for Jeep TJ

Print date: 2018-03-18

© 2018 J.W. Speaker Corporation • Germantown, WI U.S.A.
www.jwspeaker.com • speaker@jwspeaker.com • 262.251.6660

LED Work Light - Model 4415

RELATED PRODUCTS



Part Number
0549841

12-24V LED Work Light
with Trapezoid Pattern



Part Number
0551001

12-24V LED Work Light
with Spot Pattern



Part Number
0551753

12-24V LED Work Light
with Spot Pattern &
Side View Mirror
Mount - 2 Light Kit



Part Number
0555341

12-24V LED Work Light
with Spot Pattern &
Panel Mount