

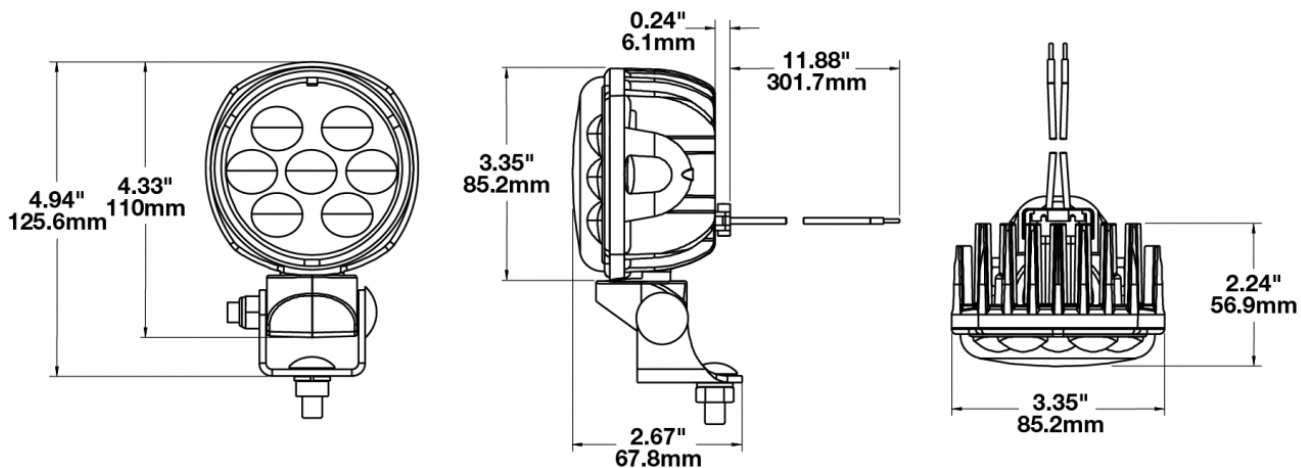
LED Work Light - Model 4415

PRODUCT INFORMATION

Description	12-24V LED Work Light with Spot Pattern
Height	110.00 mm / 4.33 in
Width	85.20 mm / 3.35 in
Depth	21.10 mm / 0.83 in
Shape	Round
Outer Lens Material	Polycarbonate
Outer Lens Color	Clear
Housing Material	Die-Cast Aluminum
Housing Color	Black
Mounting Hardware Description	(x1) Bracket and swivel
Mounting Type	Pedestal
Minimum Operating Temperature	-40 °C / -40 °F
Maximum Operating Temperature	85 °C / 185 °F
Connector or Wiring	Packard# 12084167
Mating Connector	Packard# 12059183
Product Weight	0.90 lbs / 0.41 kgs
Shipping Weight	1.20 lbs / 0.54 kgs



PRODUCT DIMENSIONS



Print date: 2018-07-17

© 2018 J.W. Speaker Corporation • Germantown, WI U.S.A.
 www.jwspeaker.com • speaker@jwspeaker.com • 262.251.6660

LED Work Light - Model 4415

ELECTRICAL SPECIFICATIONS

Input Voltage	12-24V DC
Operating Voltage	10-32V DC
Red Wire	Positive
Black Wire	Negative
Current Draw	2.20A @ 12V DC 1.10A @ 24V DC

REGULATORY STANDARDS COMPLIANCE

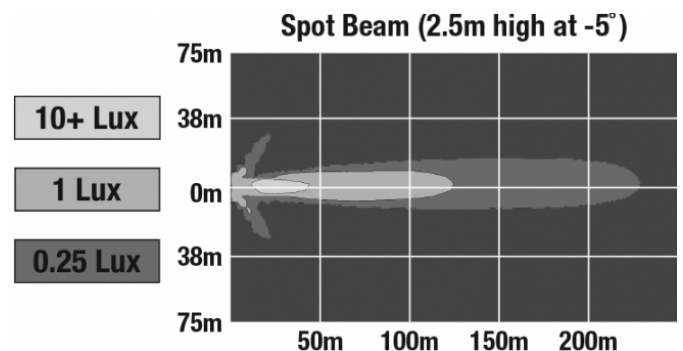


Buy America Standards
IEC IP67

Eco Friendly

PHOTOMETRIC SPECIFICATIONS

Raw Lumen Output	2,450
Effective Lumen Output	1,350
Nominal LED Color Temperature	5000 K
Beam Pattern(s)	Forward Lighting - Spot



Print date: 2018-07-17

© 2018 J.W. Speaker Corporation • Germantown, WI U.S.A.
www.jwspeaker.com • speaker@jwspeaker.com • 262.251.6660

LED Work Light - Model 4415

APPLICATIONS



ACCESSORIES



Part Number
6149203
A-Pillar Mounting Kit
for Jeep JK



Part Number
6149233
A-Pillar Mounting Kit
for Jeep TJ

RELATED PRODUCTS



Part Number
0549841
12-24V LED Work Light
with Trapezoid Pattern



Part Number
0551753
12-24V LED Work Light
with Spot Pattern &
Side View Mirror
Mount - 2 Light Kit



Part Number
0555341
12-24V LED Work Light
with Spot Pattern &
Panel Mount



Part Number
0555461
12-24V LED Work Light
with Flood Pattern &
Panel Mount

Print date: 2018-07-17

© 2018 J.W. Speaker Corporation • Germantown, WI U.S.A.
www.jwspeaker.com • speaker@jwspeaker.com • 262.251.6660