

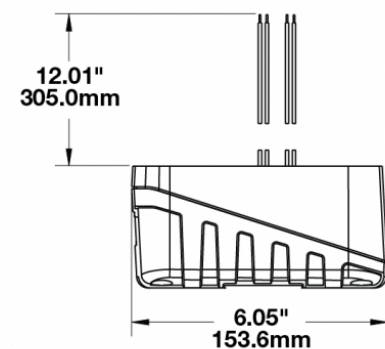
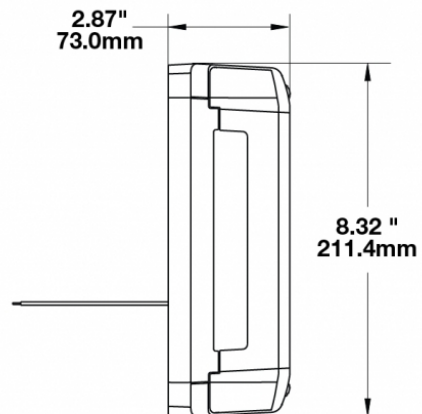
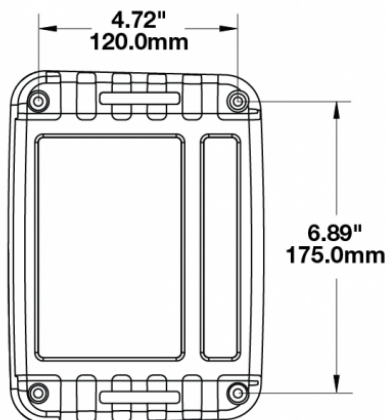
# LED Tail Lights - Model 279

## PRODUCT INFORMATION

|                            |   |
|----------------------------|---|
| <b>Description</b>         | 12-24V ECE LED Tail Light - 2 Light Kit |
| <b>Height</b>              | 210.31 mm / 8.28 in                     |
| <b>Width</b>               | 153.67 mm / 6.05 in                     |
| <b>Depth</b>               | 87.12 mm / 3.43 in                      |
| <b>Shape</b>               | Rectangular                             |
| <b>Outer Lens Material</b> | Acrylic                                 |
| <b>Outer Lens Color</b>    | Clear                                   |
| <b>Housing Material</b>    | Polycarbonate                           |
| <b>Housing Color</b>       | Black                                   |
| <b>Bezel Color</b>         | Black                                   |



## PRODUCT DIMENSIONS



Print date: 2017-06-23

© 2017 J.W. Speaker Corporation • Germantown, WI U.S.A.  
 www.jwspeaker.com • speaker@jwspeaker.com • 262.251.6660

**J.W. SPEAKER**  
 Engineered. Lighting. Solutions.

# LED Tail Lights - Model 279

## ELECTRICAL SPECIFICATIONS

|                          |  |
|--------------------------|--|
| <b>Input Voltage</b>     | 12-24V DC  |
| <b>Operating Voltage</b> | 9-32V DC   |
| <b>Black Wire</b>        | Ground   |
| <b>Purple Wire</b>       | Tail   |
| <b>Yellow Wire</b>       | Turn   |
| <b>Green Wire</b>        | Reverse  |
| <b>Red Wire</b>          | Stop   |
| <b>Current Draw</b>      | 0.082A @ 12V DC (Tail)<br>0.082A @ 24V DC (Tail)<br>0.253A @ 12V DC (Stop)<br>0.138A @ 24V DC (Stop)<br>0.321A @ 12V DC (Turn)<br>0.168A @ 24V DC (Turn)<br>0.134A @ 12V DC (Reverse)<br>0.100A @ 24V DC (Reverse) |

## REGULATORY STANDARDS COMPLIANCE



|                       |            |
|-----------------------|------------|
| Buy America Standards | ECE Reg 23 |
| ECE Reg 3             | ECE Reg 6  |
| ECE Reg 7             | ECE Reg 91 |
| Eco Friendly          |            |

## PHOTOMETRIC SPECIFICATIONS

|                        |   |
|------------------------|---|
| <b>Beam Pattern(s)</b> | Signalization - Stop<br>Signalization - Tail<br>Signalization - Turn (Rear) |
|------------------------|---|

Print date: 2017-06-23

© 2017 J.W. Speaker Corporation • Germantown, WI U.S.A.  
www.jwspeaker.com • speaker@jwspeaker.com • 262.251.6660

# LED Tail Lights - Model 279

## APPLICATIONS

---



## ACCESSORIES

---



**Part Number**

**8200231**

Mounting Kit for Model  
279 - 2 Light Kit

## RELATED PRODUCTS

---



**Part Number**

**0347553**

12-24V DOT LED Tail  
Light - 2 Light Kit

---

**Print date: 2017-06-23**

© 2017 J.W. Speaker Corporation • Germantown, WI U.S.A.  
www.jwspeaker.com • speaker@jwspeaker.com • 262.251.6660