

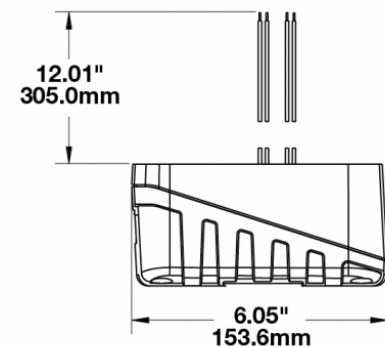
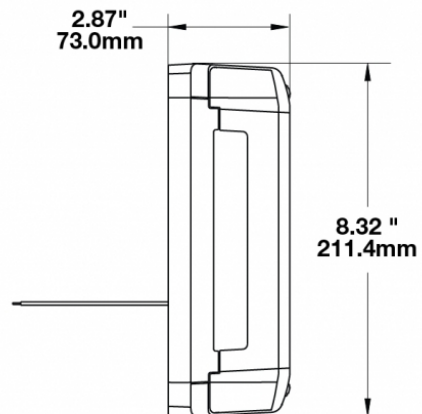
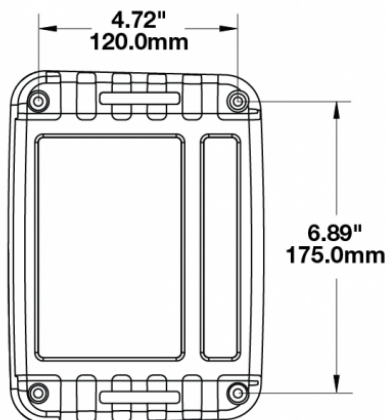
LED Tail Lights - Model 279

PRODUCT INFORMATION

Description	12-24V DOT LED Tail Light - 2 Light Kit
Height	210.31 mm / 8.28 in
Width	153.67 mm / 6.05 in
Depth	87.12 mm / 3.43 in
Shape	Rectangular
Outer Lens Material	Acrylic
Outer Lens Color	Clear
Housing Material	Polycarbonate
Housing Color	Black
Bezel Color	Black
Shipping Weight	6.40 lbs / 2.9 kgs



PRODUCT DIMENSIONS



Print date: 2018-02-22

© 2018 J.W. Speaker Corporation • Germantown, WI U.S.A.
 www.jwspeaker.com • speaker@jwspeaker.com • 262.251.6660

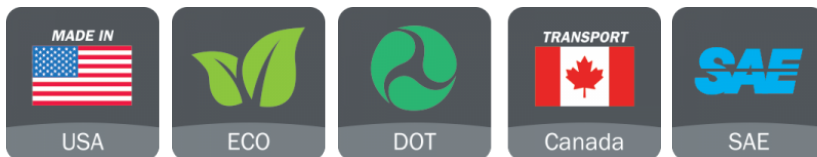
J.W. SPEAKER
 Engineered. Lighting. Solutions.

LED Tail Lights - Model 279

ELECTRICAL SPECIFICATIONS

Input Voltage	12-24V AC
Operating Voltage	9-32V AC
Black Wire	Ground
Purple Wire	Tail
Yellow Wire	Stop
Green Wire	Reverse
Current Draw	0.370A @ 12V AC (Stop) 0.220A @ 24V AC (Stop) 0.100A @ 12V AC (Tail) 0.089A @ 24V AC (Tail) 0.130A @ 12V AC (Reverse) 0.100A @ 24V AC (Reverse)

REGULATORY STANDARDS COMPLIANCE



Buy America Standards	Eco Friendly
FMVSS 108 Table IX	FMVSS 108 Table VII
FMVSS 108 Table VIII	FMVSS 108 Table X
FMVSS 108 Table XII	FMVSS 108 Table XVI
SAE J585	SAE J586
SAE J588	SAE J592

PHOTOMETRIC SPECIFICATIONS

Beam Pattern(s)	Signalization - Stop Signalization - Tail Signalization - Turn (Rear)
------------------------	---

Print date: 2018-02-22

© 2018 J.W. Speaker Corporation • Germantown, WI U.S.A.
www.jwspeaker.com • speaker@jwspeaker.com • 262.251.6660

LED Tail Lights - Model 279

APPLICATIONS



ACCESSORIES



Part Number

8200231

Mounting Kit for Model
279 - 2 Light Kit

RELATED PRODUCTS



Part Number

0347563

12-24V ECE LED Tail
Light - 2 Light Kit

Print date: 2018-02-22

© 2018 J.W. Speaker Corporation • Germantown, WI U.S.A.
www.jwspeaker.com • speaker@jwspeaker.com • 262.251.6660