

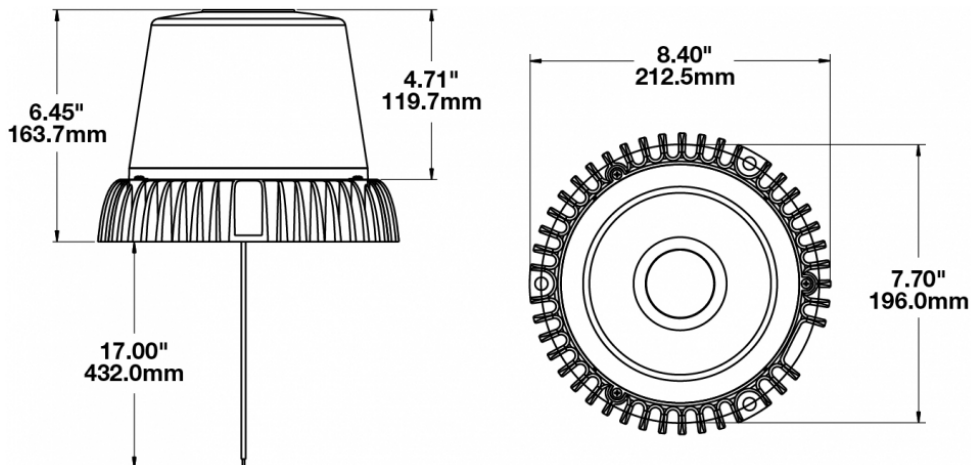
LED Strobe Lights - Model 601

PRODUCT INFORMATION

Description	12-24V ECE/SAE 3-Mode Red Class I LED Strobe Light
Height	163.83 mm / 6.45 in
Width	213.36 mm / 8.4 in
Depth	213.36 mm / 8.4 in
Shape	Round
Outer Lens Material	Polycarbonate
Outer Lens Color	Red
Housing Material	Die-Cast Aluminum
Housing Color	Black
Mounting Type	Universal Mount
Minimum Operating Temperature	-40 °C / -40 °F
Maximum Operating Temperature	65 °C / 149 °F
Product Weight	1.25 lbs / 0.57 kgs



PRODUCT DIMENSIONS



Print date: 2017-08-18

© 2017 J.W. Speaker Corporation • Germantown, WI U.S.A.
 www.jwspeaker.com • speaker@jwspeaker.com • 262.251.6660

J.W. SPEAKER
 Engineered. Lighting. Solutions.

LED Strobe Lights - Model 601

ELECTRICAL SPECIFICATIONS

Input Voltage	12-24V DC
Red Wire	Positive
Black Wire	Negative
White Wire	Mode Change
Current Draw	3.7A @ 12V DC 2A @ 24V DC

REGULATORY STANDARDS COMPLIANCE



Buy America Standards Eco Friendly
IEC IP67

PHOTOMETRIC SPECIFICATIONS

Beam Pattern(s) Warning - Strobe

APPLICATIONS



Print date: 2017-08-18

© 2017 J.W. Speaker Corporation • Germantown, WI U.S.A.
www.jwspeaker.com • speaker@jwspeaker.com • 262.251.6660

LED Strobe Lights - Model 601

RELATED PRODUCTS



Part Number

0643151

12-24V ECE/SAE 3-
Mode Amber Class I
LED Strobe Light with
Black Housing