

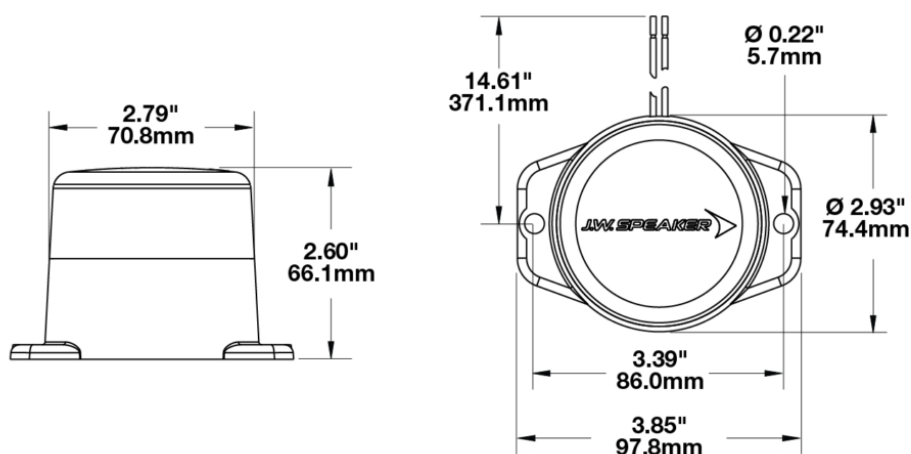
# LED Strobe Lights - Model 539

## PRODUCT INFORMATION

<b>Description</b>	12-80V Red Class III LED Strobe Light with Flange Mount
<b>Height</b>	66.10 mm / 2.6 in
<b>Width</b>	70.80 mm / 2.79 in
<b>Depth</b>	70.80 mm / 2.79 in
<b>Shape</b>	Round
<b>Outer Lens Material</b>	Acrylic
<b>Outer Lens Color</b>	Clear
<b>Housing Material</b>	Polycarbonate
<b>Housing Color</b>	Black
<b>Mounting Type</b>	Flange Mount
<b>Minimum Operating Temperature</b>	-40 °C / -40 °F
<b>Maximum Operating Temperature</b>	65 °C / 149 °F
<b>Connector or Wiring</b>	13.5" Bare Leads
<b>Product Weight</b>	0.30 lbs / 0.14 kgs
<b>Shipping Weight</b>	1.51 lbs / 0.68 kgs



## PRODUCT DIMENSIONS



Print date: 2018-04-19

© 2018 J.W. Speaker Corporation • Germantown, WI U.S.A.  
 www.jwspeaker.com • speaker@jwspeaker.com • 262.251.6660

**J.W. SPEAKER**®  
 Engineered. Lighting. Solutions.

# LED Strobe Lights - Model 539

## ELECTRICAL SPECIFICATIONS

<b>Input Voltage</b>	12-80VDCV DC
<b>Operating Voltage</b>	12-80VDCV DC
<b>Red Wire</b>	Positive
<b>Black Wire</b>	Negative
<b>Current Draw</b>	0.256A @ 12V DC 0.088A @ 48V DC 0.076A @ 80V DC

## REGULATORY STANDARDS COMPLIANCE



Buy America Standards  
UL Recognized

Eco Friendly

## PHOTOMETRIC SPECIFICATIONS

<b>Beam Pattern(s)</b>	Warning - Strobe
<b>Flash Rate 1</b>	60 +/- 10 fpm

## APPLICATIONS



Print date: 2018-04-19

© 2018 J.W. Speaker Corporation • Germantown, WI U.S.A.  
www.jwspeaker.com • speaker@jwspeaker.com • 262.251.6660

**J.W. SPEAKER**   
Engineered. Lighting. Solutions.

# LED Strobe Lights - Model 539

## RELATED PRODUCTS

---



**Part Number**  
**0646441**  
12-80V Amber Class III  
LED Strobe Light with  
Flange Mount



**Part Number**  
**0646461**  
12-80V Green Class III  
LED Strobe Light with  
Flange Mount



**Part Number**  
**0646471**  
12-80V Blue Class III  
LED Strobe Light with  
Flange Mount



**Part Number**  
**0646481**  
12-80V White Class III  
LED Strobe Light with  
Flange Mount