

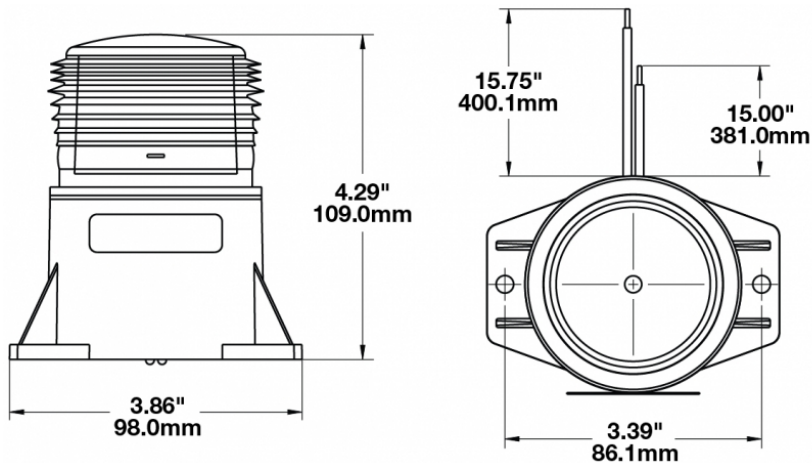
LED Strobe Lights - Model 539

PRODUCT INFORMATION

Description	12-80V Blue Class III LED Strobe Light with Nylon Housing & Flange Mount
Height	111.51 mm / 4.39 in
Width	98.04 mm / 3.86 in
Depth	72.39 mm / 2.85 in
Shape	Round
Outer Lens Material	Acrylic
Outer Lens Color	Blue
Housing Material	Impact-Resistant Nylon
Housing Color	Black
Mounting Type	Flange Mount
Minimum Operating Temperature	-40 °C / -40 °F
Maximum Operating Temperature	65 °C / 149 °F
Connector or Wiring	13.5" Bare Leads
Product Weight	0.62 lbs / 0.28 kgs



PRODUCT DIMENSIONS



Print date: 2017-06-23

© 2017 J.W. Speaker Corporation • Germantown, WI U.S.A.
 www.jwspeaker.com • speaker@jwspeaker.com • 262.251.6660

LED Strobe Lights - Model 539

ELECTRICAL SPECIFICATIONS

Input Voltage	12-80V DC
Red Wire	Positive
Black Wire	Negative
Current Draw	0.5A @ 12V DC 0.2A @ 48V DC

REGULATORY STANDARDS COMPLIANCE



Buy America Standards
SAE J845

Eco Friendly
UL Recognized

PHOTOMETRIC SPECIFICATIONS

Beam Pattern(s)	Warning - Strobe
Flash Rate 1	60 +/- 10 fpm

APPLICATIONS



Print date: 2017-06-23

© 2017 J.W. Speaker Corporation • Germantown, WI U.S.A.
www.jwspeaker.com • speaker@jwspeaker.com • 262.251.6660

LED Strobe Lights - Model 539

RELATED PRODUCTS



Part Number
0644871

12-80V Amber Class III
LED Strobe Light with
Nylon Housing &
Flange Mount



Part Number
0645091

12-80V Red Class III
LED Strobe Light with
Nylon Housing &
Flange Mount



Part Number
0645101

12-80V Green Class III
LED Strobe Light with
Nylon Housing &
Flange Mount



Part Number
0645161

12-80V Clear Class III
LED Strobe Light with
Nylon Housing &
Flange Mount