

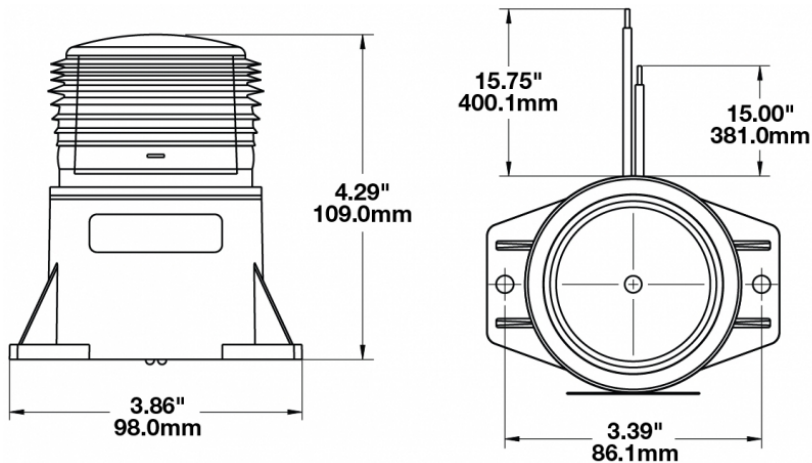
LED Strobe Lights - Model 539

PRODUCT INFORMATION

| | |
|--------------------------------------|---|
| Description | 12-80V Amber Class III LED Strobe Light with Nylon Housing & Flange Mount |
| Height | 111.51 mm / 4.39 in |
| Width | 98.04 mm / 3.86 in |
| Depth | 72.39 mm / 2.85 in |
| Shape | Round |
| Outer Lens Material | Acrylic |
| Outer Lens Color | Amber |
| Housing Material | Impact-Resistant Nylon |
| Housing Color | Black |
| Mounting Type | Flange Mount |
| Minimum Operating Temperature | -40 °C / -40 °F |
| Maximum Operating Temperature | 65 °C / 149 °F |
| Connector or Wiring | 13.5" Bare Leads |
| Product Weight | 0.62 lbs / 0.28 kgs |



PRODUCT DIMENSIONS



Print date: 2017-06-26

© 2017 J.W. Speaker Corporation • Germantown, WI U.S.A.
www.jwspeaker.com • speaker@jwspeaker.com • 262.251.6660

LED Strobe Lights - Model 539

ELECTRICAL SPECIFICATIONS

| | |
|----------------------|--------------------------------|
| Input Voltage | 12-80V DC |
| Red Wire | Positive |
| Black Wire | Negative |
| Current Draw | 0.5A @ 12V DC 0.2A @ 48V DC |

REGULATORY STANDARDS COMPLIANCE



Buy America Standards
SAE J845

Eco Friendly
UL Recognized

PHOTOMETRIC SPECIFICATIONS

| | |
|------------------------|------------------|
| Beam Pattern(s) | Warning - Strobe |
| Flash Rate 1 | 60 +/- 10 fpm |

APPLICATIONS



Print date: 2017-06-26

© 2017 J.W. Speaker Corporation • Germantown, WI U.S.A.
www.jwspeaker.com • speaker@jwspeaker.com • 262.251.6660

LED Strobe Lights - Model 539

RELATED PRODUCTS



Part Number
0645091
12-80V Red Class III
LED Strobe Light with
Nylon Housing &
Flange Mount



Part Number
0645101
12-80V Green Class III
LED Strobe Light with
Nylon Housing &
Flange Mount



Part Number
0645111
12-80V Blue Class III
LED Strobe Light with
Nylon Housing &
Flange Mount



Part Number
0645161
12-80V Clear Class III
LED Strobe Light with
Nylon Housing &
Flange Mount