

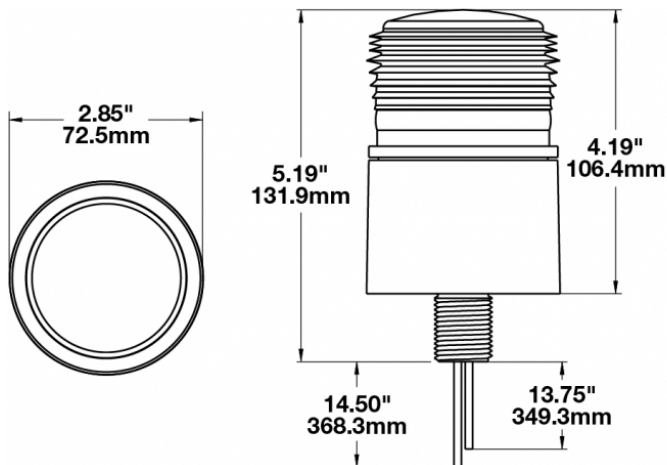
LED Strobe Lights - Model 538

PRODUCT INFORMATION

Description	12-80V Amber Class III LED Strobe Light with Pipe Mount
Height	131.83 mm / 5.19 in
Width	72.39 mm / 2.85 in
Depth	72.39 mm / 2.85 in
Shape	Round
Outer Lens Material	Acrylic
Outer Lens Color	Amber
Housing Material	Impact-Resistant Nylon
Housing Color	Black
Mounting Type	Pipe Mount
Minimum Operating Temperature	-40 °C / -40 °F
Maximum Operating Temperature	65 °C / 149 °F
Connector or Wiring	13.5" Bare Leads
Product Weight	0.62 lbs / 0.28 kgs



PRODUCT DIMENSIONS



Print date: 2017-06-23

© 2017 J.W. Speaker Corporation • Germantown, WI U.S.A.
 www.jwspeaker.com • speaker@jwspeaker.com • 262.251.6660

LED Strobe Lights - Model 538

ELECTRICAL SPECIFICATIONS

Input Voltage	12-80V DC
Red Wire	Positive
Black Wire	Negative
Current Draw	0.5A @ 12V DC 0.2A @ 48V DC

REGULATORY STANDARDS COMPLIANCE



Buy America Standards
SAE J845

Eco Friendly
UL Recognized

PHOTOMETRIC SPECIFICATIONS

Beam Pattern(s) Warning - Strobe

APPLICATIONS



Print date: 2017-06-23

© 2017 J.W. Speaker Corporation • Germantown, WI U.S.A.
www.jwspeaker.com • speaker@jwspeaker.com • 262.251.6660

