

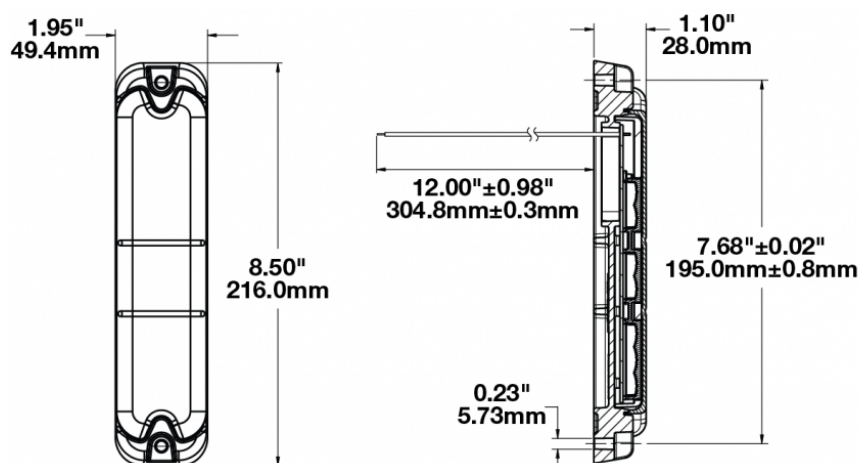
# LED Stop, Tail, Turn & Backup Light - Model 281

## PRODUCT INFORMATION

<b>Description</b>	24-36V LED Stop, Tail, Turn Signal & Backup Light without Flasher
<b>Height</b>	215.90 mm / 8.5 in
<b>Width</b>	49.53 mm / 1.95 in
<b>Depth</b>	27.94 mm / 1.1 in
<b>Shape</b>	Rectangular
<b>Outer Lens Material</b>	Polycarbonate
<b>Outer Lens Color</b>	Clear
<b>Housing Material</b>	ABS
<b>Housing Color</b>	Black
<b>Mounting Type</b>	Low Profile Mount
<b>Minimum Operating Temperature</b>	-40 °C / -40 °F
<b>Maximum Operating Temperature</b>	65 °C / 149 °F
<b>Connector or Wiring</b>	12" Bare Leads
<b>Product Weight</b>	0.65 lbs / 0.29 kgs
<b>Shipping Weight</b>	0.90 lbs / 0.41 kgs



## PRODUCT DIMENSIONS



Print date: 2018-10-21

© 2018 J.W. Speaker Corporation • Germantown, WI U.S.A.  
 www.jwspeaker.com • speaker@jwspeaker.com • 262.251.6660

# LED Stop, Tail, Turn & Backup Light - Model 281

## ELECTRICAL SPECIFICATIONS

<b>Input Voltage</b>	24-36V DC
<b>White Wire</b>	Backup
<b>Yellow Wire</b>	Turn
<b>Red Wire</b>	Brake
<b>White/Red Wire</b>	Tail
<b>Black Wire</b>	Ground
<b>Current Draw</b>	0.4A @ 24V DC 0.4A @ 36V DC

## REGULATORY STANDARDS COMPLIANCE



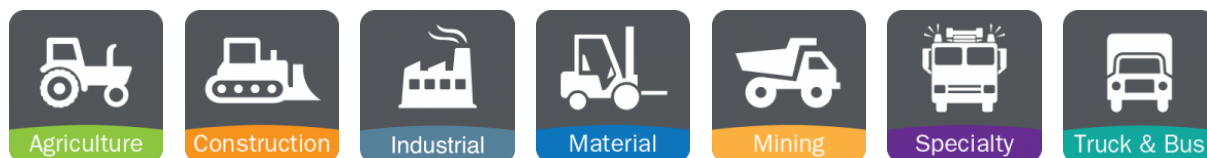
Buy America Standards  
IEC IP67

Eco Friendly  
UL Recognized

## PHOTOMETRIC SPECIFICATIONS

<b>Beam Pattern(s)</b>	Signalization - Stop Signalization - Tail Signalization - Turn (Front) Signalization - Turn (Rear)
------------------------	---

## APPLICATIONS



Print date: 2018-10-21

© 2018 J.W. Speaker Corporation • Germantown, WI U.S.A.  
www.jwspeaker.com • speaker@jwspeaker.com • 262.251.6660

**J.W. SPEAKER**  
Engineered. Lighting. Solutions.

# LED Stop, Tail, Turn & Backup Light - Model 281

## RELATED PRODUCTS

---



**Part Number**  
**0338061**  
12V LED Stop, Tail,  
Turn Signal & Backup  
Light without Flasher



**Part Number**  
**0339011**  
48V LED Stop, Tail,  
Turn Signal & Backup  
Light without Flasher



**Part Number**  
**0339021**  
48V LED Stop, Tail,  
Turn Signal & Backup  
Light Kit (2 Lights with  
2 Amp Flasher)