

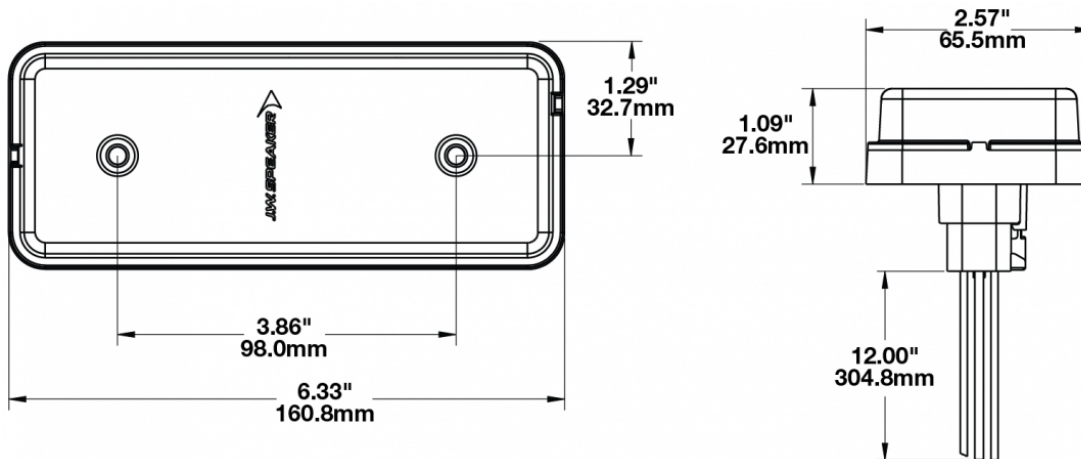
# LED Signal Lights - Model 221

## PRODUCT INFORMATION

<b>Description</b>	12-24V ECE LED Front Position & Front Turn Signal Light
<b>Height</b>	160.78 mm / 6.33 in
<b>Width</b>	66.04 mm / 2.6 in
<b>Depth</b>	27.94 mm / 1.1 in
<b>Shape</b>	Rectangle
<b>Outer Lens Material</b>	Polycarbonate
<b>Outer Lens Color</b>	Clear
<b>Housing Material</b>	Polycarbonate
<b>Housing Color</b>	Black
<b>Mounting Type</b>	Panel Mount
<b>Minimum Operating Temperature</b>	-40 °C / -40 °F
<b>Maximum Operating Temperature</b>	65 °C / 149 °F
<b>Connector or Wiring</b>	Integral DT04-6P
<b>Mating Connector</b>	DTM06-6S



## PRODUCT DIMENSIONS



Print date: 2017-05-29

© 2017 J.W. Speaker Corporation • Germantown, WI U.S.A.  
 www.jwspeaker.com • speaker@jwspeaker.com • 262.251.6660

**J.W. SPEAKER**  
 Engineered. Lighting. Solutions.

# LED Signal Lights - Model 221

## ELECTRICAL SPECIFICATIONS

<b>Input Voltage</b>	12-24V DC
<b>Operating Voltage</b>	6-32V DC
<b>Transient Spike Protection</b>	150V Peak @ 1 HZ-100 Pulses
<b>Black Wire</b>	Ground
<b>White Wire</b>	Front Position
<b>Tellow Wire</b>	Turn
<b>Current Draw</b>	1.42A @ 12V DC (Turn) 0.71A @ 24V DC (Turn) 0.10A @ 12V DC (Position) 0.05A @ 24V DC (Position)

## REGULATORY STANDARDS COMPLIANCE



Buy America Standards  
ECE Reg 7  
IEC IP67

ECE Reg 6  
Eco Friendly

## PHOTOMETRIC SPECIFICATIONS

**Beam Pattern(s)**      Signalization - Front Position  
Signalization - Turn (Front)

## APPLICATIONS



**Print date: 2017-05-29**

© 2017 J.W. Speaker Corporation • Germantown, WI U.S.A.  
www.jwspeaker.com • speaker@jwspeaker.com • 262.251.6660

**J.W. SPEAKER®**  
Engineered. Lighting. Solutions.