

LED Signal Lights - Model 217

PRODUCT INFORMATION

Description	12-24V ECE LED Rear Fog Light (Red) without 90mm Mounting Assembly Adapter
Height	72.39 mm / 2.85 in
Width	72.39 mm / 2.85 in
Depth	39.62 mm / 1.56 in
Shape	Round
Outer Lens Material	Polycarbonate
Outer Lens Color	Red
Housing Material	Polycarbonate
Housing Color	Black
Mounting Hardware Description	(x2) #8-1/2" x Screws
Mounting Type	Universal Mount
Minimum Operating Temperature	-40 °C / -40 °F
Maximum Operating Temperature	65 °C / 149 °F
Connector or Wiring	610mm Cable
Shipping Weight	0.23 lbs / 0.1 kgs



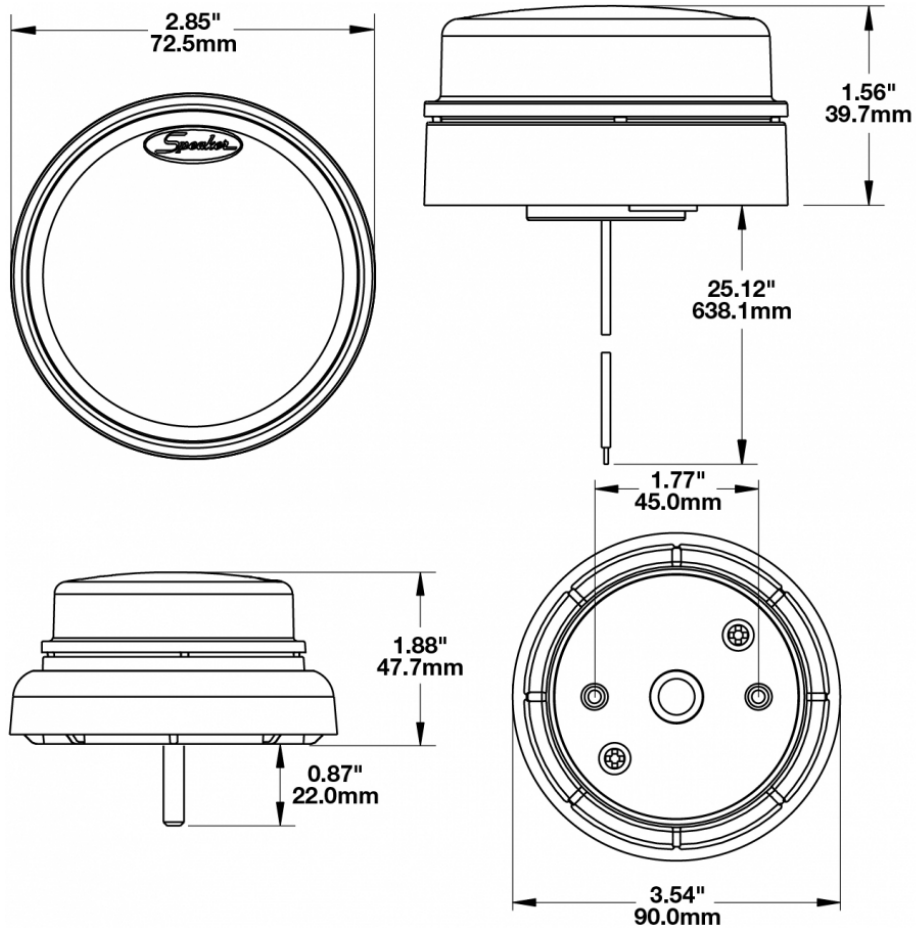
Print date: 2017-10-19

© 2017 J.W. Speaker Corporation • Germantown, WI U.S.A.
 www.jwspeaker.com • speaker@jwspeaker.com • 262.251.6660

J.W. SPEAKER 
 Engineered. Lighting. Solutions.

LED Signal Lights - Model 217

PRODUCT DIMENSIONS



ELECTRICAL SPECIFICATIONS

Input Voltage	12-24V DC
Red Wire	Positive
Black Wire	Negative
Current Draw	0.15A @ 12V DC 0.08A @ 24V DC

Print date: 2017-10-19

© 2017 J.W. Speaker Corporation • Germantown, WI U.S.A.
www.jwspeaker.com • speaker@jwspeaker.com • 262.251.6660

LED Signal Lights - Model 217

REGULATORY STANDARDS COMPLIANCE



Buy America Standards
Eco Friendly

ECE Reg 38
IEC IP67

PHOTOMETRIC SPECIFICATIONS

Beam Pattern(s) Signalization - Marker

APPLICATIONS



Print date: 2017-10-19

© 2017 J.W. Speaker Corporation • Germantown, WI U.S.A.
www.jwspeaker.com • speaker@jwspeaker.com • 262.251.6660



LED Signal Lights - Model 217

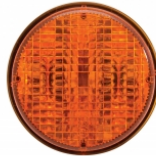
RELATED PRODUCTS



Part Number
0345411
12-24V ECE LED Stop
& Tail Light without
90mm Mounting
Assembly Adapter



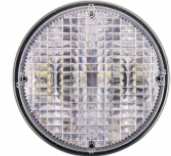
Part Number
0345421
12-24V ECE LED
Backup Light without
90mm Mounting
Assembly Adapter



Part Number
0345441
12-24V ECE LED Turn
Signal without 90mm
Mounting Assembly
Adapter



Part Number
0345451
12-24V ECE LED DRL &
Front Position Light
without 90mm
Mounting Assembly
Adapter



Part Number
0345461
12-24V ECE LED DRL &
Front Position Light
with 90mm Mounting
Assembly Adapter



Part Number
0345511
12-24V ECE LED Rear
Fog Light (Clear)
without 90mm
Mounting Assembly
Adapter



Part Number
0345521
12-24V ECE LED Turn
Signal with 90mm
Mounting Assembly
Adapter