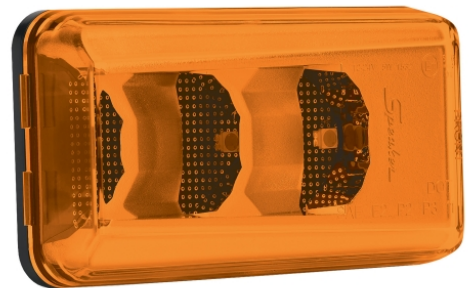


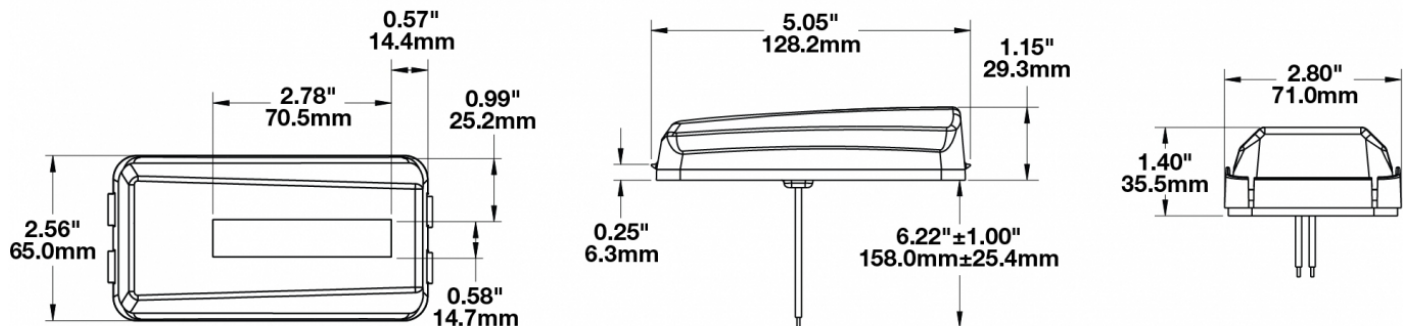
LED Side Turn Signal & Marker Lights - Model 157

PRODUCT INFORMATION

Description	12-24V ECE/SAE LED Amber Side Marker/Side Turn Signal
Height	128.27 mm / 5.05 in
Width	71.12 mm / 2.8 in
Depth	35.56 mm / 1.4 in
Shape	Rectangular
Outer Lens Material	Acrylic
Outer Lens Color	Amber
Housing Material	ABS
Housing Color	Black
Mounting Type	Low Profile Mount
Minimum Operating Temperature	-40 °C / -40 °F
Maximum Operating Temperature	65 °C / 149 °F



PRODUCT DIMENSIONS



Print date: 2017-05-29

© 2017 J.W. Speaker Corporation • Germantown, WI U.S.A.
 www.jwspeaker.com • speaker@jwspeaker.com • 262.251.6660

LED Side Turn Signal & Marker Lights - Model 157

ELECTRICAL SPECIFICATIONS

Input Voltage	12-24V DC
Red Wire	Turn
Yellow Wire	Side
Black Wire	Negative
Current Draw	0.41A @ 12V DC 0.2A @ 24V DC

REGULATORY STANDARDS COMPLIANCE

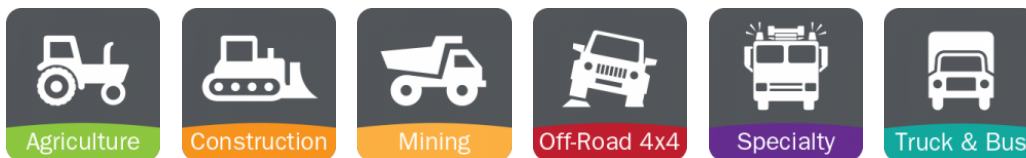


Buy America Standards	ECE Reg 6
Eco Friendly	FMVSS 108 Table X
IEC IP67	SAE J2042
SAE J592	SAE J914

PHOTOMETRIC SPECIFICATIONS

Beam Pattern(s)	Signalization - Turn (Front) Signalization - Turn (Rear)
------------------------	---

APPLICATIONS



Print date: 2017-05-29

© 2017 J.W. Speaker Corporation • Germantown, WI U.S.A.
www.jwspeaker.com • speaker@jwspeaker.com • 262.251.6660

J.W. SPEAKER
Engineered. Lighting. Solutions.

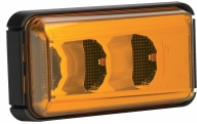
LED Side Turn Signal & Marker Lights - Model 157

RELATED PRODUCTS



Part Number
0344301

12-24V ECE/SAE LED
Clear Side Turn Signal
with Mount



Part Number
0344311

12-24V ECE/SAE LED
Amber Side Turn
Signal with Mount