

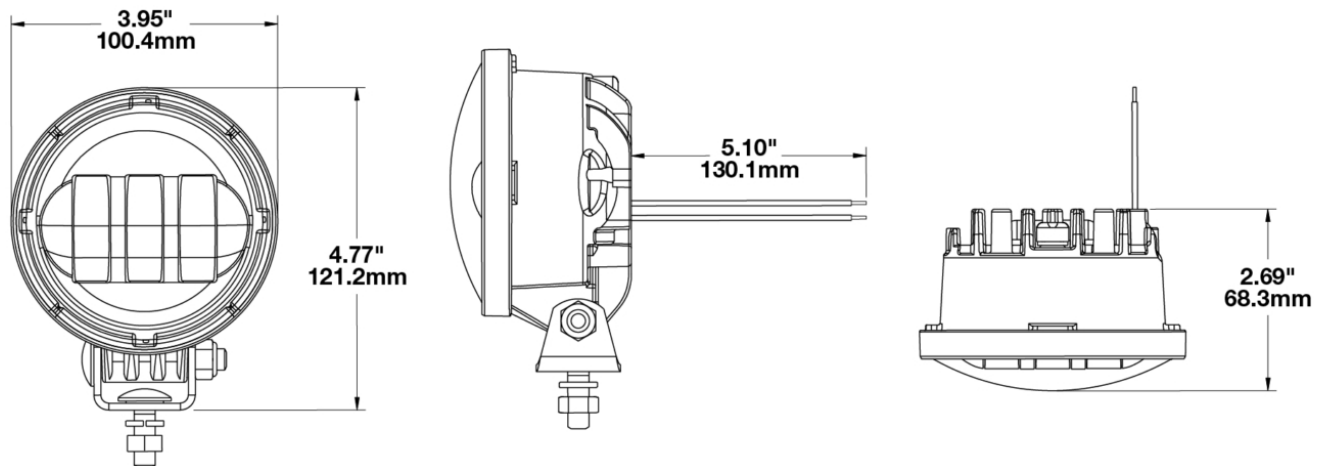
LED Safety Light - Model 6150

PRODUCT INFORMATION

Description	12-110V Antiglare Zone Light
Height	121.23 mm / 4.77 in
Width	100.36 mm / 3.95 in
Depth	68.30 mm / 2.69 in
Shape	Round
Outer Lens Material	Hardcoated Polycarbonate
Outer Lens Color	Clear
Housing Material	Die-Cast Aluminum
Housing Color	Black
Bezel Color	Black
Mounting Hardware Description	(x1) M8-1.25 x .25 SS Mounting Bolt
Mounting Type	Universal Pedestal Mount
Shipping Weight	2.60 lbs / 1.18 kgs



PRODUCT DIMENSIONS



Print date: 2018-08-17

© 2018 J.W. Speaker Corporation • Germantown, WI U.S.A.
 www.jwspeaker.com • speaker@jwspeaker.com • 262.251.6660

LED Safety Light - Model 6150

ELECTRICAL SPECIFICATIONS

Input Voltage	12-110V DC
Red Wire	Power
Black Wire	Ground
Current Draw	2.00A @ 12V DC 0.90A @ 24V DC 0.48A @ 48V DC 0.41A @ 60V DC 0.28A @ 110V DC

REGULATORY STANDARDS COMPLIANCE

Tested to ECE Reg. 10 (Radiated Emissions only) UL Recognized

PHOTOMETRIC SPECIFICATIONS

Raw Lumen Output	1470
Effective Lumen Output	318
Candela Output	3,454
Beam Pattern(s)	Warning - Keep Out Zone

APPLICATIONS



Print date: 2018-08-17

© 2018 J.W. Speaker Corporation • Germantown, WI U.S.A.
www.jwspeaker.com • speaker@jwspeaker.com • 262.251.6660

J.W. SPEAKER 
Engineered. Lighting. Solutions.

LED Safety Light - Model 6150

RELATED PRODUCTS



Part Number
0552961
12-110V LED Red Zone
Light



Part Number
0552971
12-110V LED Blue
Zone Light