

# LED Auxiliary Lights - Model TS4000

## PRODUCT INFORMATION

<b>Description</b>	12-24V ECE LED High Beam with Chrome Inner Bezel & Pedestal Mount - 2 Light Kit
<b>Height</b>	177.80 mm / 7 in
<b>Width</b>	177.80 mm / 7 in
<b>Depth</b>	99.06 mm / 3.9 in
<b>Shape</b>	Round
<b>Outer Lens Material</b>	Polycarbonate
<b>Outer Lens Color</b>	Clear
<b>Housing Material</b>	Aluminum
<b>Housing Color</b>	Black
<b>Bezel Color</b>	Chrome
<b>Mounting Hardware Description</b>	(x1) 3/8"-16 x UNC
<b>Mounting Type</b>	U Bracket
<b>Minimum Operating Temperature</b>	-40 °C / -40 °F
<b>Maximum Operating Temperature</b>	65 °C / 149 °F
<b>Connector or Wiring</b>	Integral Deutsch DT04-2P
<b>Mating Connector</b>	DT06-2S
<b>Product Weight</b>	2.20 lbs / 1 kgs
<b>Shipping Weight</b>	7.20 lbs / 3.27 kgs



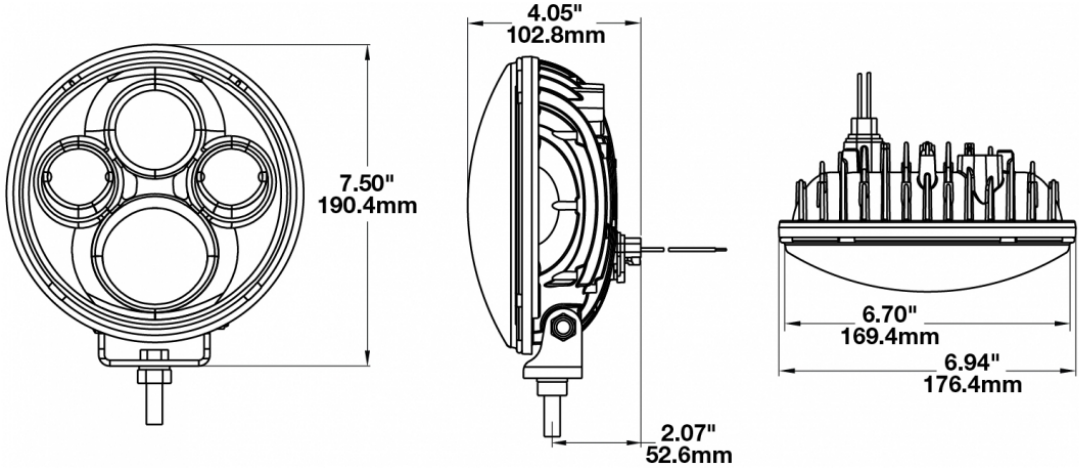
Print date: 2018-02-17

© 2018 J.W. Speaker Corporation • Germantown, WI U.S.A.  
 www.jwspeaker.com • speaker@jwspeaker.com • 262.251.6660

**J.W. SPEAKER**   
 Engineered. Lighting. Solutions.

# LED Auxiliary Lights - Model TS4000

## PRODUCT DIMENSIONS



## ELECTRICAL SPECIFICATIONS

<b>Input Voltage</b>	12-24V DC
<b>Operating Voltage</b>	9-32V DC
<b>Black Wire</b>	Ground
<b>Red Wire</b>	Positive
<b>Current Draw</b>	4.80A @ 12V DC 2.50A @ 24V DC

## REGULATORY STANDARDS COMPLIANCE



Buy America Standards  
Eco Friendly

ECE Reg 112  
IEC IP67

Print date: 2018-02-17

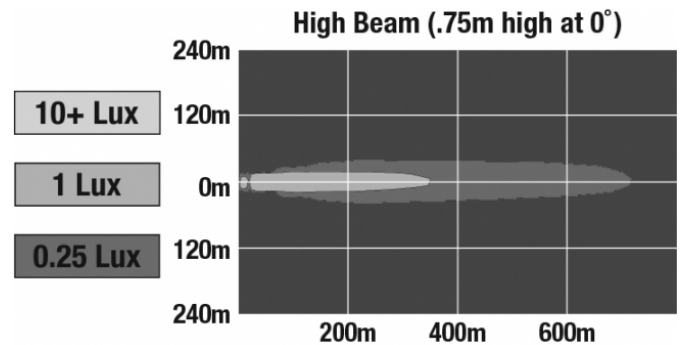
© 2018 J.W. Speaker Corporation • Germantown, WI U.S.A.  
www.jwspeaker.com • speaker@jwspeaker.com • 262.251.6660



# LED Auxiliary Lights - Model TS4000

## PHOTOMETRIC SPECIFICATIONS

<b>Raw Lumen Output</b>	3,300 (High Beam)
<b>Effective Lumen Output</b>	1,440 (High Beam)
<b>Candela Output</b>	133,000
<b>Nominal LED Color Temperature</b>	5000 K
<b>Beam Pattern(s)</b>	Forward Lighting - Driving Forward Lighting - High Beam (ECE)



## APPLICATIONS



## RELATED PRODUCTS



**Part Number**  
**0551121**

12-24V ECE LED High Beam with Chrome Inner Bezel & Pedestal Mount



**Part Number**  
**0551693**

12-24V ECE LED High Beam with Black Inner Bezel & Pedestal Mount - 2 Light Kit

Print date: 2018-02-17

© 2018 J.W. Speaker Corporation • Germantown, WI U.S.A.  
www.jwspeaker.com • speaker@jwspeaker.com • 262.251.6660