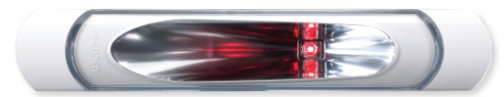


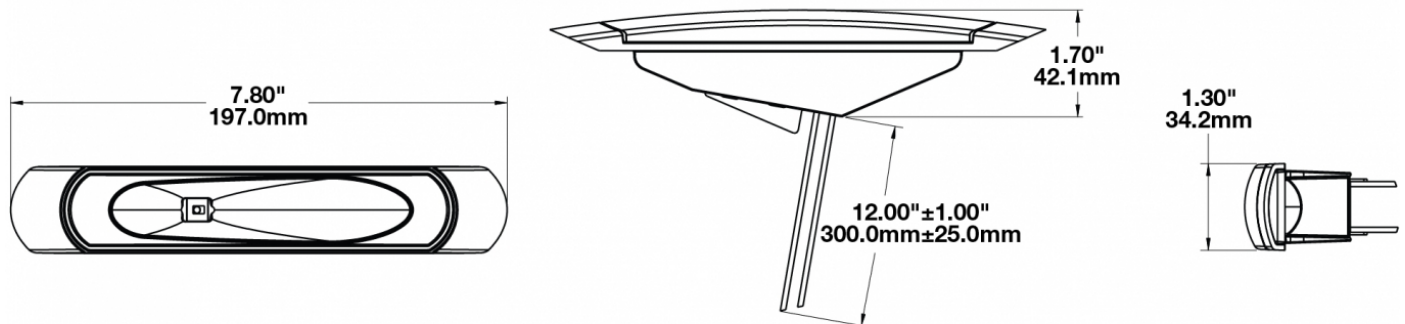
LED Marine Navigation Lights - Model 450

PRODUCT INFORMATION

Description	12-24V LED Port (Red) Marine Signal Light
Height	33.02 mm / 1.3 in
Width	198.12 mm / 7.8 in
Depth	43.18 mm / 1.7 in
Shape	Stylized
Outer Lens Material	Polycarbonate
Outer Lens Color	Clear
Housing Material	Polycarbonate
Housing Color	White
Mounting Type	Low Profile Mount
Minimum Operating Temperature	-40 °C / -40 °F
Maximum Operating Temperature	65 °C / 149 °F
Connector or Wiring	12" Bare Leads
Shipping Weight	1.26 lbs / 0.57 kgs



PRODUCT DIMENSIONS



Print date: 2017-12-12

© 2017 J.W. Speaker Corporation • Germantown, WI U.S.A.
 www.jwspeaker.com • speaker@jwspeaker.com • 262.251.6660

J.W. SPEAKER®
 Engineered. Lighting. Solutions.

LED Marine Navigation Lights - Model 450

ELECTRICAL SPECIFICATIONS

Input Voltage	12-24V DC
Red Wire	Positive
Black Wire	Negative
Current Draw	0.21A @ 12V DC 0.1A @ 24V DC

REGULATORY STANDARDS COMPLIANCE



ABYC A-16	Buy America Standards
Eco Friendly	IEC IP67
USCG COLREGS Part C	

PHOTOMETRIC SPECIFICATIONS

Nominal LED Color Temperature 5000 K

APPLICATIONS



Print date: 2017-12-12

© 2017 J.W. Speaker Corporation • Germantown, WI U.S.A.
www.jwspeaker.com • speaker@jwspeaker.com • 262.251.6660

LED Marine Navigation Lights - Model 450

RELATED PRODUCTS



Part Number
0230691

12-24V LED Starboard
(Green) Marine Signal
Light



Part Number
0230701

12-24V LED Stern
(White) Marine Signal
Light