

LED Headlights & Fog Lights - Model 95

PRODUCT INFORMATION

Description	12-24V SAE/ECE RHT & LHT LED Harmonized Fog Light - 2 Light Kit
Height	130.00 mm / 5.12 in
Width	108.00 mm / 4.25 in
Depth	110.00 mm / 4.33 in
Shape	Square
Outer Lens Material	Polycarbonate
Outer Lens Color	Clear
Housing Material	Aluminum
Housing Color	Black
Bezel Color	Black
Mounting Type	Panel
Retrofits	PACCAR P54-1062-100 Fog Lamp
Minimum Operating Temperature	-40 °C / -40 °F
Maximum Operating Temperature	65 °C / 149 °F
Connector or Wiring	Packard #12162000
Mating Connector	Packard #12052641
Product Weight	2.80 lbs / 1.27 kgs
Shipping Weight	3.02 lbs / 1.37 kgs



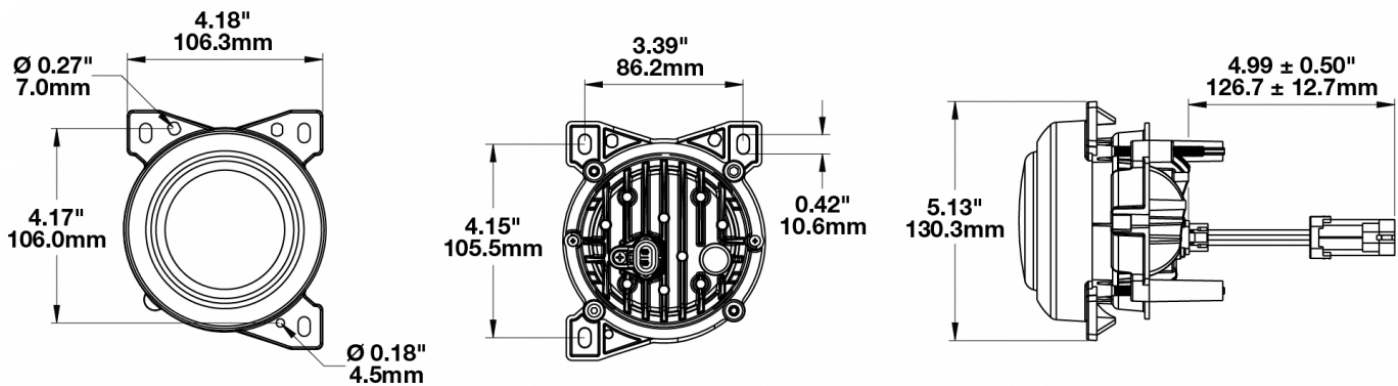
Print date: 2018-02-21

© 2018 J.W. Speaker Corporation • Germantown, WI U.S.A.
 www.jwspeaker.com • speaker@jwspeaker.com • 262.251.6660

J.W. SPEAKER 
 Engineered. Lighting. Solutions.

LED Headlights & Fog Lights - Model 95

PRODUCT DIMENSIONS



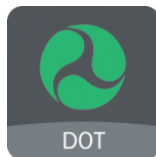
ELECTRICAL SPECIFICATIONS

Input Voltage	12-24V DC
Operating Voltage	10-30V DC
Transient Spike Protection	150V Peak @ 1 HZ-100 Pulses
Red Wire	Positive
Black Wire	Ground
Current Draw	1.25A @ 12V DC 0.7A @ 24V DC

REGULATORY STANDARDS COMPLIANCE



ECE Reg 19
SAE J583



IEC IP69K

Print date: 2018-02-21

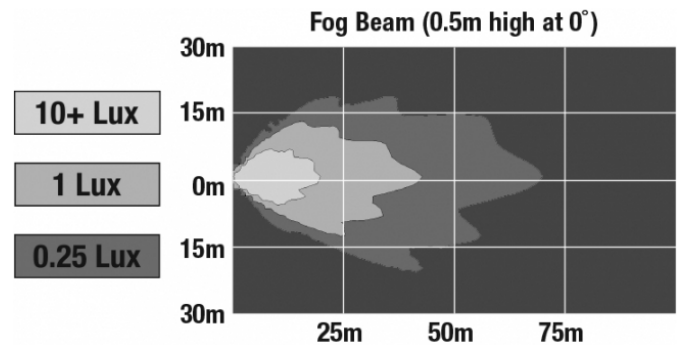
© 2018 J.W. Speaker Corporation • Germantown, WI U.S.A.
www.jwspeaker.com • speaker@jwspeaker.com • 262.251.6660

J.W. SPEAKER
Engineered. Lighting. Solutions.

LED Headlights & Fog Lights - Model 95

PHOTOMETRIC SPECIFICATIONS

Raw Lumen Output	1,435
Effective Lumen Output	607
Candela Output	7,500
Nominal LED Color Temperature	5000 K
Beam Pattern(s)	Forward Lighting - Fog



APPLICATIONS



INSTALLATION & APPLICATION INFORMATION

Compliance & Legal Usage

DOT-compliance for legal on-road use requires that the Model 95 high beam be used in conjunction with your stock headlights, turning off the high beam when faced with oncoming traffic.

Retrofit Information

The Model 95 kits offer drop-in replacements for the following semi trucks:

- 2013-2015 Peterbilt 579
- 2011-2015 Peterbilt 587
- 2008-2015 Kenworth T660

Print date: 2018-02-21

© 2018 J.W. Speaker Corporation • Germantown, WI U.S.A.
www.jwspeaker.com • speaker@jwspeaker.com • 262.251.6660

LED Headlights & Fog Lights - Model 95

RELATED PRODUCTS



Part Number
0553713
12-24V DOT/ECE LED
High Beam - 2 Light Kit



Part Number
0553721
12-24V DOT/ECE LED
High Beam - 1 Light



Part Number
0553741
12-24V SAE/ECE RHT &
LHT LED Harmonized
Fog Light - 1 Light