

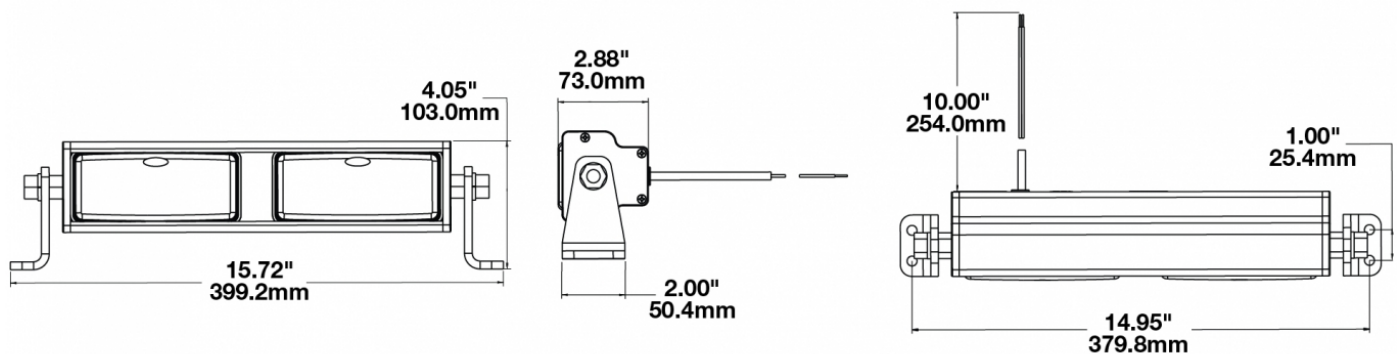
# LED Light Bars - Model 9049-2M

## PRODUCT INFORMATION

<b>Description</b>	24V LED 15" Light Bar with Flood Beam Pattern
<b>Height</b>	102.87 mm / 4.05 in
<b>Width</b>	399.29 mm / 15.72 in
<b>Depth</b>	73.15 mm / 2.88 in
<b>Shape</b>	Rectangular
<b>Outer Lens Material</b>	Polycarbonate
<b>Outer Lens Color</b>	Clear
<b>Housing Material</b>	Die-Cast Aluminum
<b>Housing Color</b>	Black
<b>Mounting Type</b>	Universal Mount
<b>Minimum Operating Temperature</b>	-40 °C / -40 °F
<b>Maximum Operating Temperature</b>	65 °C / 149 °F
<b>Product Weight</b>	4.44 lbs / 2.01 kgs
<b>Shipping Weight</b>	8.40 lbs / 3.81 kgs



## PRODUCT DIMENSIONS



Print date: 2018-07-22

© 2018 J.W. Speaker Corporation • Germantown, WI U.S.A.  
[www.jwspeaker.com](http://www.jwspeaker.com) • [speaker@jwspeaker.com](mailto:speaker@jwspeaker.com) • 262.251.6660

**J.W. SPEAKER**  
 Engineered. Lighting. Solutions.

# LED Light Bars - Model 9049-2M

## ELECTRICAL SPECIFICATIONS

<b>Input Voltage</b>	24V DC
<b>Operating Voltage</b>	20-32V DC
<b>Red Wire</b>	Positive
<b>Black Wire</b>	Negative
<b>Current Draw</b>	2.40A @ 24V DC

## REGULATORY STANDARDS COMPLIANCE



Buy America Standards

IEC IP67

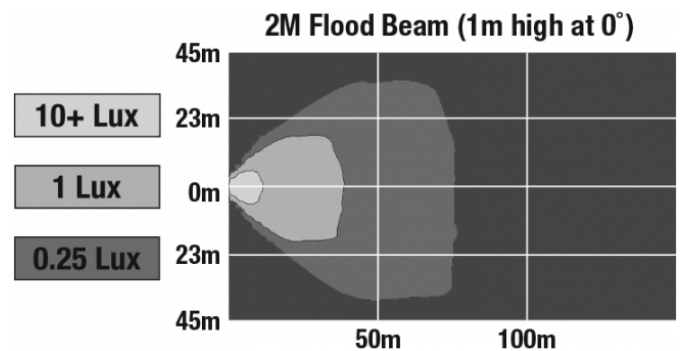
Tested to ECE Reg. 10  
(Radiated Emissions only)

Eco Friendly

SAE J1113-21

## PHOTOMETRIC SPECIFICATIONS

<b>Raw Lumen Output</b>	2,200
<b>Effective Lumen Output</b>	1,320
<b>Nominal LED Color Temperature</b>	5000 K
<b>Beam Pattern(s)</b>	Forward Lighting - Flood (Standard)



Print date: 2018-07-22

© 2018 J.W. Speaker Corporation • Germantown, WI U.S.A.  
www.jwspeaker.com • speaker@jwspeaker.com • 262.251.6660

# LED Light Bars - Model 9049-2M

## APPLICATIONS



Agriculture



Automotive



Construction



Industrial



Mining



Off-Road 4x4



Railroad



Specialty



Truck & Bus

## RELATED PRODUCTS



**Part Number**  
**0546261**

12V LED 15" Light Bar  
with Flood Beam  
Pattern

**Part Number**  
**0548461**

12V LED 15" Light Bar  
with Driving Beam  
Pattern