

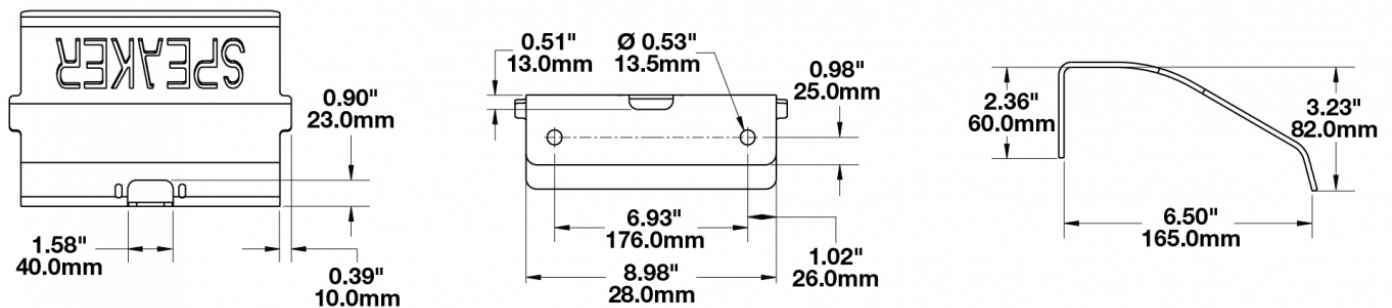
Rock Guard Kit for Model 527

PRODUCT INFORMATION

Description	Rock Guard Kit for Model 527
Height	171.45 mm / 6.75 in
Width	247.65 mm / 9.75 in
Depth	133.35 mm / 5.25 in
Shape	Rectangular
Shipping Weight	8.40 lbs / 3.81 kgs



PRODUCT DIMENSIONS



Print date: 2018-04-20

© 2018 J.W. Speaker Corporation • Germantown, WI U.S.A.
 www.jwspeaker.com • speaker@jwspeaker.com • 262.251.6660

Rock Guard Kit for Model 527

REGULATORY STANDARDS COMPLIANCE



Buy America Standards

APPLICATIONS



SUITS THESE PRODUCTS



10" x 5" LED Warning Light

LED Safety Lights -
Model 527

Print date: 2018-04-20

© 2018 J.W. Speaker Corporation • Germantown, WI U.S.A.
www.jwspeaker.com • speaker@jwspeaker.com • 262.251.6660