

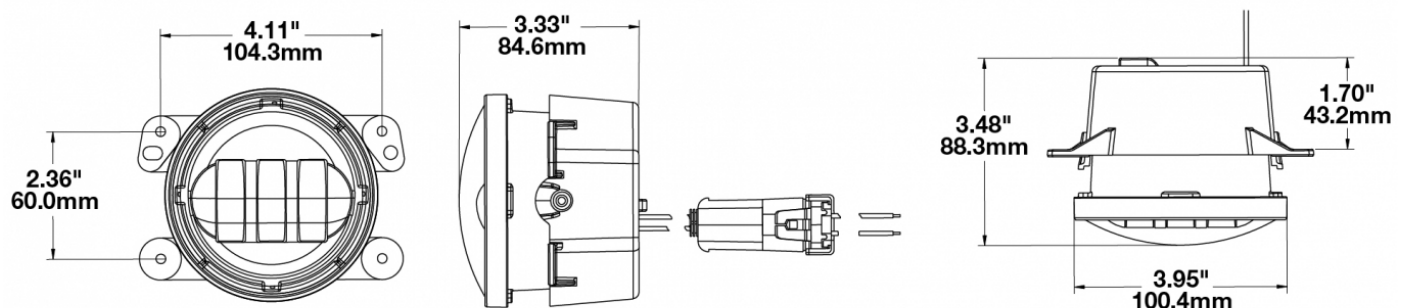
# LED Fog Lights - Model 6145

## PRODUCT INFORMATION

<b>Description</b>	12V SAE/ECE RHT & LHT LED Fog Light with Chrome Inner Bezel
<b>Height</b>	100.08 mm / 3.94 in
<b>Width</b>	125.73 mm / 4.95 in
<b>Depth</b>	88.39 mm / 3.48 in
<b>Shape</b>	Round
<b>Outer Lens Material</b>	Hardcoated Polycarbonate
<b>Outer Lens Color</b>	Clear
<b>Housing Material</b>	Die-Cast Aluminum
<b>Housing Color</b>	Black
<b>Bezel Color</b>	Chrome
<b>Mounting Type</b>	Bumper Mount
<b>Retrofits</b>	Jeep, Dodge, PT, and Chrysler
<b>Minimum Operating Temperature</b>	-40 °C / -40 °F
<b>Maximum Operating Temperature</b>	65 °C / 149 °F
<b>Mating Connector</b>	Packard (#12059183)
<b>Shipping Weight</b>	0.93 lbs / 0.42 kgs



## PRODUCT DIMENSIONS



Print date: 2017-07-24

© 2017 J.W. Speaker Corporation • Germantown, WI U.S.A.  
 www.jwspeaker.com • speaker@jwspeaker.com • 262.251.6660

**J.W. SPEAKER**   
 Engineered. Lighting. Solutions.

# LED Fog Lights - Model 6145

## ELECTRICAL SPECIFICATIONS

<b>Input Voltage</b>	12V DC
<b>Operating Voltage</b>	10-15V DC
<b>Red Wire</b>	Positive
<b>Black Wire</b>	Negative
<b>Current Draw</b>	1.60A @ 12V DC

## REGULATORY STANDARDS COMPLIANCE



Buy America Standards

Eco Friendly

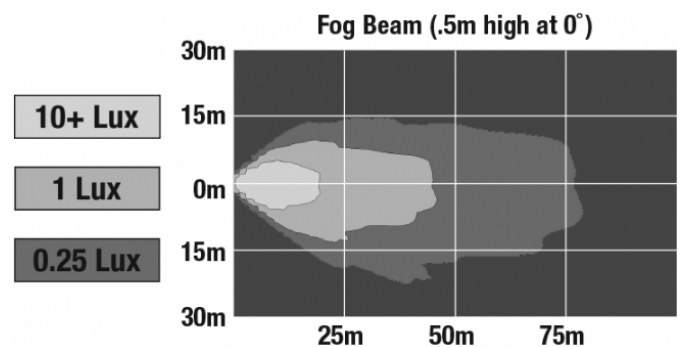
Tested to ECE Reg. 10  
(Radiated Emissions only)

ECE Reg 19

SAE J583

## PHOTOMETRIC SPECIFICATIONS

<b>Raw Lumen Output</b>	1,080
<b>Effective Lumen Output</b>	610
<b>Nominal LED Color Temperature</b>	5000 K
<b>Beam Pattern(s)</b>	Forward Lighting - Fog



Print date: 2017-07-24

© 2017 J.W. Speaker Corporation • Germantown, WI U.S.A.  
www.jwspeaker.com • speaker@jwspeaker.com • 262.251.6660

# LED Fog Lights - Model 6145

## APPLICATIONS

---



## INSTALLATION & APPLICATION INFORMATION

---

Plug & Play for the following vehicles:

2007-2010 Jeep Wrangler 2-Door (JK)  
2007-2010 Jeep Wrangler Unlimited 4-Door (JK)  
2009 Dodge Journey  
2005-2008 Dodge Magnum  
2006-2012 PT Cruiser

Splicing Required for the following vehicles:

2011-2012 Jeep Wrangler  
2010-2012 Dodge Journey  
2011-2012 Jeep Grand Cherokee  
2011-2012 Dodge Charger  
2005 Chrysler 300

## RELATED PRODUCTS

---



**Part Number**

**0547971**

12V SAE/ECE RHT &  
LHT LED Fog Light with  
Black Inner Bezel

---

**Print date: 2017-07-24**

© 2017 J.W. Speaker Corporation • Germantown, WI U.S.A.  
www.jwspeaker.com • speaker@jwspeaker.com • 262.251.6660