

LED Headlights - Model 8700 Evolution 2

PRODUCT INFORMATION

Description	12-24V DOT LED High & Low Beam Headlight with Black Inner Bezel
Height	176.53 mm / 6.95 in
Width	176.53 mm / 6.95 in
Depth	99.82 mm / 3.93 in
Shape	Round
Outer Lens Material	Polycarbonate
Outer Lens Color	Clear
Housing Material	Die-Cast Aluminum
Housing Color	Gray
Bezel Color	Black
Retrofits	2D1 "PAR56" or 7" round headlights
Minimum Operating Temperature	-40 °C / -40 °F
Maximum Operating Temperature	65 °C / 149 °F
Connector or Wiring	H4
Mating Connector	H4 AMP#172615-2
Product Weight	2.31 lbs / 1.05 kgs
Shipping Weight	3.50 lbs / 1.59 kgs



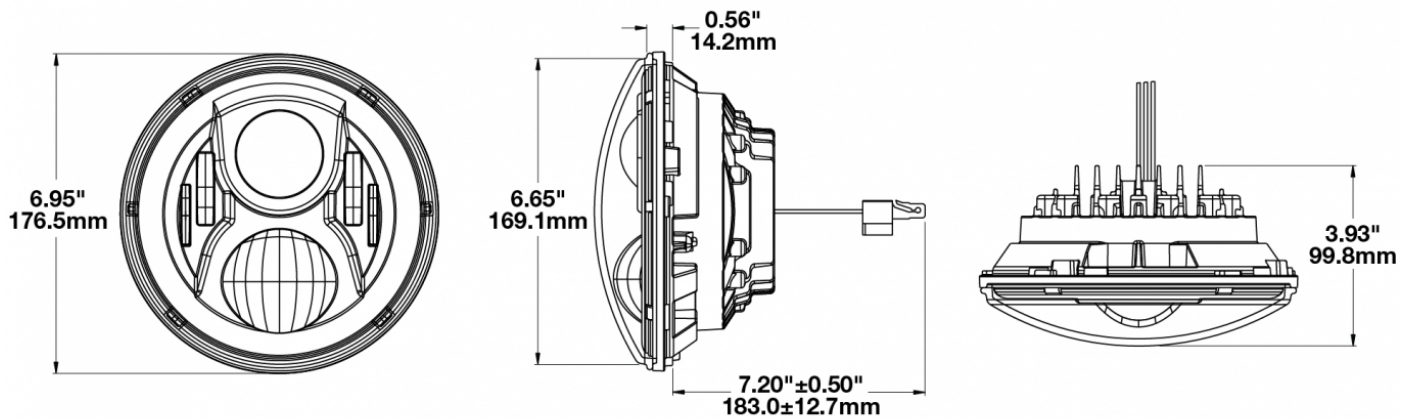
Print date: 2017-08-18

© 2017 J.W. Speaker Corporation • Germantown, WI U.S.A.
 www.jwspeaker.com • speaker@jwspeaker.com • 262.251.6660

J.W. SPEAKER®
 Engineered. Lighting. Solutions.

LED Headlights - Model 8700 Evolution 2

PRODUCT DIMENSIONS



ELECTRICAL SPECIFICATIONS

Input Voltage	12-24V DC
Operating Voltage	9-32V DC
Transient Spike Protection	150V Peak @ 1 HZ-100 Pulses
Black Wire	Ground
White Wire	High Beam
Yellow Wire	Low Beam
Current Draw	3.00A @ 12V DC (High Beam) 2.00A @ 12V DC (Low Beam) 1.60A @ 24V DC (High Beam) 1.10A @ 24V DC (Low Beam)

Print date: 2017-08-18

© 2017 J.W. Speaker Corporation • Germantown, WI U.S.A.
www.jwspeaker.com • speaker@jwspeaker.com • 262.251.6660

LED Headlights - Model 8700 Evolution 2

REGULATORY STANDARDS COMPLIANCE

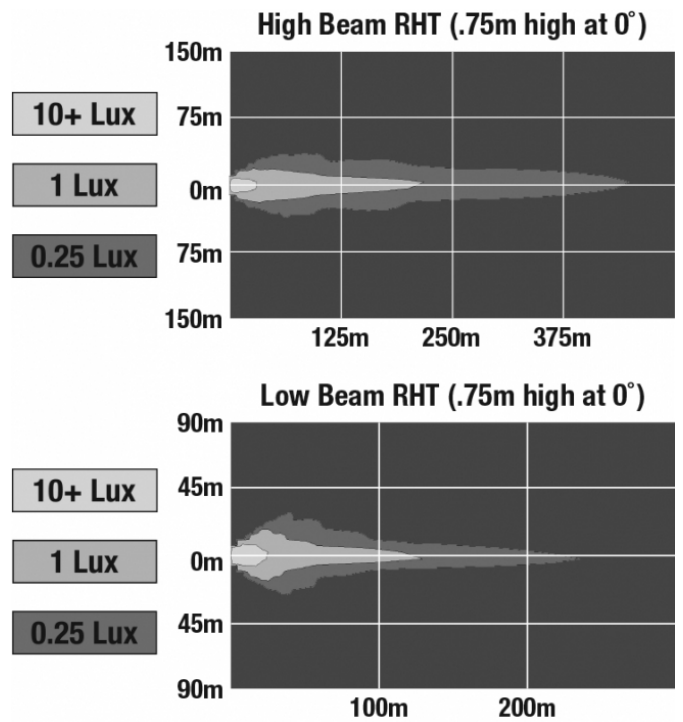


Buy America Standards
FMVSS 108 Table XIX
IEC IP67

Eco Friendly
FMVSS 108 Table XVIII

PHOTOMETRIC SPECIFICATIONS

Raw Lumen Output	2,610 (High Beam); 1,770 (Low Beam)
Effective Lumen Output	1,150 (High Beam); 750 (Low Beam)
Candela Output	60,897 (High Beam) 35,003 (Low Beam)
Nominal LED Color Temperature	5000 K
Beam Pattern(s)	Forward Lighting - High Beam (DOT/ECE) Forward Lighting - Low Beam (DOT)



Print date: 2017-08-18

© 2017 J.W. Speaker Corporation • Germantown, WI U.S.A.
www.jwspeaker.com • speaker@jwspeaker.com • 262.251.6660

LED Headlights - Model 8700 Evolution 2

APPLICATIONS



INSTALLATION & APPLICATION INFORMATION

Fits the following vehicles:

1955-1983 Jeep CJ-5*
1976-1986 Jeep CJ-7*
1981-1985 Jeep CJ-8*
1997-2006 Jeep Wrangler (TJ)
2007-2015 Jeep Wrangler 2-Door (JK)
2007-2015 Jeep Wrangler Unlimited 4-Door (JK)

*Some modification of the bucket may be required

ADDITIONAL INFORMATION

Headlight must be securely mounted and properly aimed such that the beam pattern cut off line complies with all applicable regulations. If you are not familiar with the legal requirements for aiming your headlights, please see a professional service provider. We recommend that headlights are aimed with a headlight aiming system for proper alignment.

Print date: 2017-08-18

© 2017 J.W. Speaker Corporation • Germantown, WI U.S.A.
www.jwspeaker.com • speaker@jwspeaker.com • 262.251.6660

J.W. SPEAKER 
Engineered. Lighting. Solutions.

LED Headlights - Model 8700 Evolution 2

ACCESSORIES



Part Number
3156351
Mounting Ring Kit for
7" Round (PAR56)
Headlights



Part Number
3156561
Panel Mount Bucket
Assembly for 8700
Evolution & 8710
Series



Part Number
3266081
Jumper Harness
H4/H13 for 8700
Evolution & 8710
Series



Part Number
8000311
Anti-Flicker Harness
H4/H13 for 8700
Evolution Series
Headlights



Part Number
8000381
Anti-Flicker Harness
H4/H4 for 8700
Evolution Series
Headlights



Part Number
8200411
Wire Harness H4 for 7"
Round (PAR56)
Headlights

LED Headlights - Model 8700 Evolution 2

RELATED PRODUCTS



Part Number
0549711

12-24V DOT LED High & Low Beam Headlight with Chrome Inner Bezel



Part Number
0549721

12-24V ECE LED LHT High & Low Beam Headlight with FP, DRL & Black Inner Bezel



Part Number
0549731

12-24V ECE LED LHT High & Low Beam Headlight with FP, DRL & Chrome Inner Bezel



Part Number
0549741

12-24V ECE LED RHT High & Low Beam Headlight with FP, DRL & Black Inner Bezel



Part Number
0549751

12-24V ECE LED RHT High & Low Beam Headlight with FP, DRL & Chrome Inner Bezel



Part Number
0550201

12-24V ECE LED LHT High & Low Beam Headlight with Black Inner Bezel



Part Number
0550211

12-24V ECE LED LHT High & Low Beam Headlight with Chrome Inner Bezel



Part Number
0550221

12-24V ECE LED RHT High & Low Beam Headlight with Black Inner Bezel

Print date: 2017-08-18

© 2017 J.W. Speaker Corporation • Germantown, WI U.S.A.
www.jwspeaker.com • speaker@jwspeaker.com • 262.251.6660