

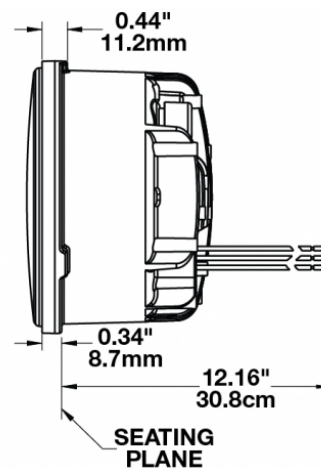
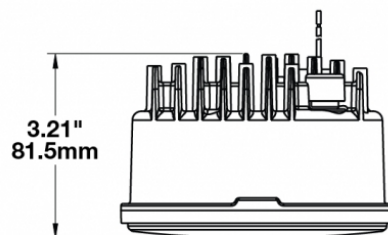
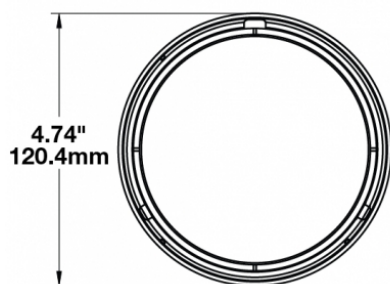
LED Headlights - Model 6130 Evolution

PRODUCT INFORMATION

Description	12-24V DOT/ECE LED RHT Low Beam Headlight
Height	120.40 mm / 4.74 in
Width	120.40 mm / 4.74 in
Depth	81.53 mm / 3.21 in
Shape	Round
Outer Lens Material	Polycarbonate
Outer Lens Color	Clear
Housing Material	Aluminum
Housing Color	Black
Bezel Color	Black
Connector or Wiring	12" Flying Leads
Mating Connector	n/a
Product Weight	1.50 lbs / 0.68 kgs
Shipping Weight	1.68 lbs / 0.76 kgs



PRODUCT DIMENSIONS



Print date: 2018-01-19

© 2018 J.W. Speaker Corporation • Germantown, WI U.S.A.
 www.jwspeaker.com • speaker@jwspeaker.com • 262.251.6660

J.W. SPEAKER
 Engineered. Lighting. Solutions.

LED Headlights - Model 6130 Evolution

ELECTRICAL SPECIFICATIONS

Input Voltage	12-24V DC
Operating Voltage	10-30V DC
Black Wire	Ground
Yellow Wire	DRL
White Wire	Low Beam
Current Draw	2.07A @ 12V DC (Low Beam) 0.96A @ 24V DC (Low Beam) 0.44A @ 12V DC (DRL) 0.24A @ 24V DC (DRL)

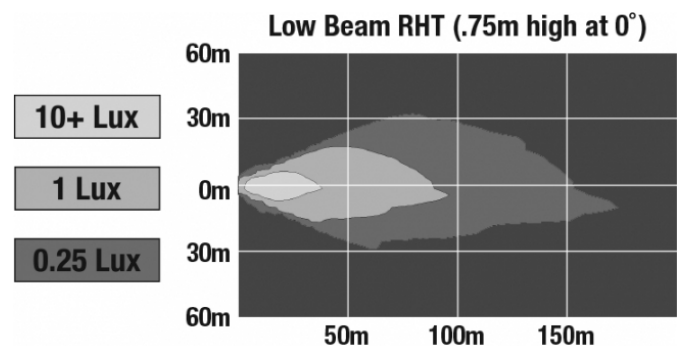
REGULATORY STANDARDS COMPLIANCE



Buy America Standards	ECE Reg 112
ECE Reg 87	Eco Friendly
FMVSS 108 Table XIX	IEC IP67

PHOTOMETRIC SPECIFICATIONS

Raw Lumen Output	1,690 (Low Beam)
Effective Lumen Output	640 (Low Beam)
Candela Output	40,585 (High Beam); 17,852 (Low Beam)
Beam Pattern(s)	Forward Lighting - Daytime Running Light Forward Lighting - Low Beam (ECE Right Hand)



Print date: 2018-01-19

© 2018 J.W. Speaker Corporation • Germantown, WI U.S.A.
www.jwspeaker.com • speaker@jwspeaker.com • 262.251.6660

LED Headlights - Model 6130 Evolution

APPLICATIONS



ADDITIONAL INFORMATION

Jump Start: 48V for 2 min
Reverse Polarity: -24V for 2 min
Load Dump: 150V 5 pulses 10 sec intervals
Inductive Switching: 600V 10 pulses 1 sec intervals
Mutual Coupling: 300V 10 pulses 1 sec intervals

RELATED PRODUCTS



Part Number
0549861
12-24V ECE LED LHT
Low Beam Headlight



Part Number
0549871
12-24V DOT/ECE LED
High Beam Headlight



Part Number
0549881
12-24V DOT/ECE LED
RHT High & Low Beam
Headlight



Part Number
0549891
12-24V ECE LED LHT
High & Low Beam
Headlight

Print date: 2018-01-19

© 2018 J.W. Speaker Corporation • Germantown, WI U.S.A.
www.jwspeaker.com • speaker@jwspeaker.com • 262.251.6660