

# LED Headlight – Model 8770S Locomotive

## PRODUCT INFORMATION

---

<b>Description</b>	75V LED Locomotive Headlight with Spot Beam Pattern
<b>Height</b>	170.00 mm / 6.69 in
<b>Width</b>	170.00 mm / 6.69 in
<b>Depth</b>	103.00 mm / 4.06 in
<b>Shape</b>	Round
<b>Outer Lens Material</b>	Glass
<b>Outer Lens Color</b>	Clear
<b>Housing Material</b>	Aluminum
<b>Housing Color</b>	Gray
<b>Bezel Color</b>	Black
<b>Retrofits</b>	PAR56
<b>Minimum Operating Temperature</b>	-40 °C / -40 °F
<b>Maximum Operating Temperature</b>	65 °C / 149 °F
<b>Connector or Wiring</b>	Standard Sealed Beam Style Screw Terminals
<b>Product Weight</b>	2.60 lbs / 1.18 kgs
<b>Shipping Weight</b>	3.65 lbs / 1.66 kgs



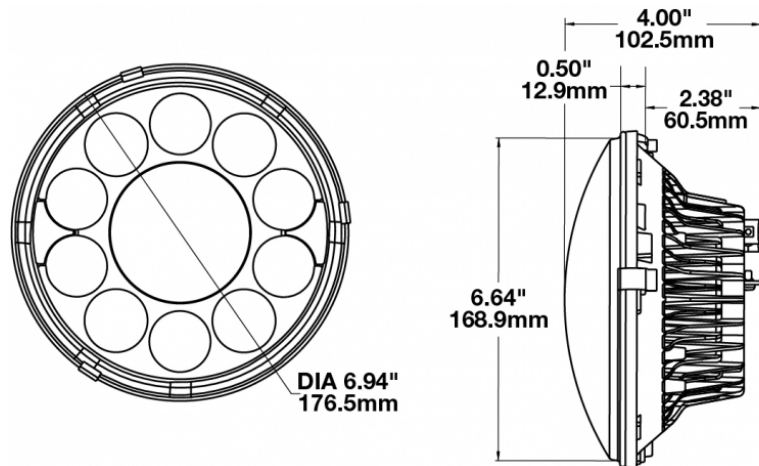
---

**Print date: 2018-11-20**

© 2018 J.W. Speaker Corporation • Germantown, WI U.S.A.  
www.jwspeaker.com • speaker@jwspeaker.com • 262.251.6660

# LED Headlight – Model 8770S Locomotive

## PRODUCT DIMENSIONS



## ELECTRICAL SPECIFICATIONS

<b>Input Voltage</b>	50-90V DC
<b>Operating Voltage</b>	75V DC
<b>Transient Spike Protection</b>	330V Peak @ 1 HZ-100 Pulses
<b>Current Draw</b>	1.25A @ 50V DC 0.85A @ 75V DC 0.70A @ 90V DC

## REGULATORY STANDARDS COMPLIANCE



Buy America Standards  
 FRA Title 49 CFR 229.125 (a)    Eco Friendly  
 FRA Title 49 CFR 229.125 (b)  
 FRA Title 49 CFR 229.125 (d) (2)

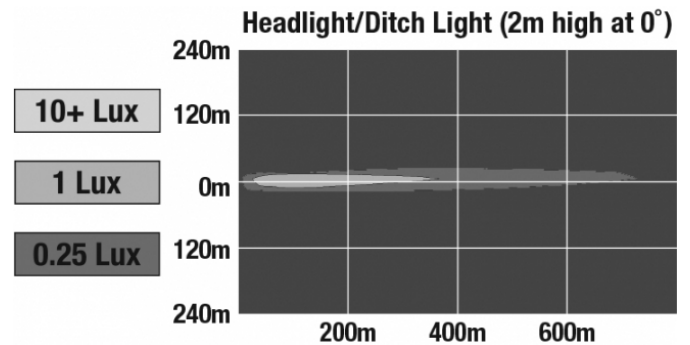
Print date: 2018-11-20

© 2018 J.W. Speaker Corporation • Germantown, WI U.S.A.  
 www.jwspeaker.com • speaker@jwspeaker.com • 262.251.6660

# LED Headlight – Model 8770S Locomotive

## PHOTOMETRIC SPECIFICATIONS

<b>Raw Lumen Output</b>	2,400
<b>Effective Lumen Output</b>	1,370
<b>Candela Output</b>	200,000 Min.
<b>Nominal LED Color Temperature</b>	5000 K
<b>Beam Pattern(s)</b>	Forward Lighting - Spot



## APPLICATIONS



**Print date: 2018-11-20**

© 2018 J.W. Speaker Corporation • Germantown, WI U.S.A.  
[www.jwspeaker.com](http://www.jwspeaker.com) • [speaker@jwspeaker.com](mailto:speaker@jwspeaker.com) • 262.251.6660