

LED Headlight - Model 516

PRODUCT INFORMATION

Description	12-24V LED Material Handling Headlight with Turn Signal & Front Position
Height	50.80 mm / 2 in
Width	151.38 mm / 5.96 in
Depth	40.89 mm / 1.61 in
Shape	Rectangular
Outer Lens Material	Polycarbonate
Outer Lens Color	Clear
Housing Material	Polycarbonate
Housing Color	Black
Bezel Color	Chrome
Mounting Hardware Description	(x1) M5-1 Mounting Bolt
Mounting Type	Panel Mount
Minimum Operating Temperature	-40 °C / -40 °F
Maximum Operating Temperature	65 °C / 149 °F
Connector or Wiring	11" Bare Leads
Product Weight	0.32 lbs / 0.15 kgs
Shipping Weight	18.00 lbs / 8.16 kgs



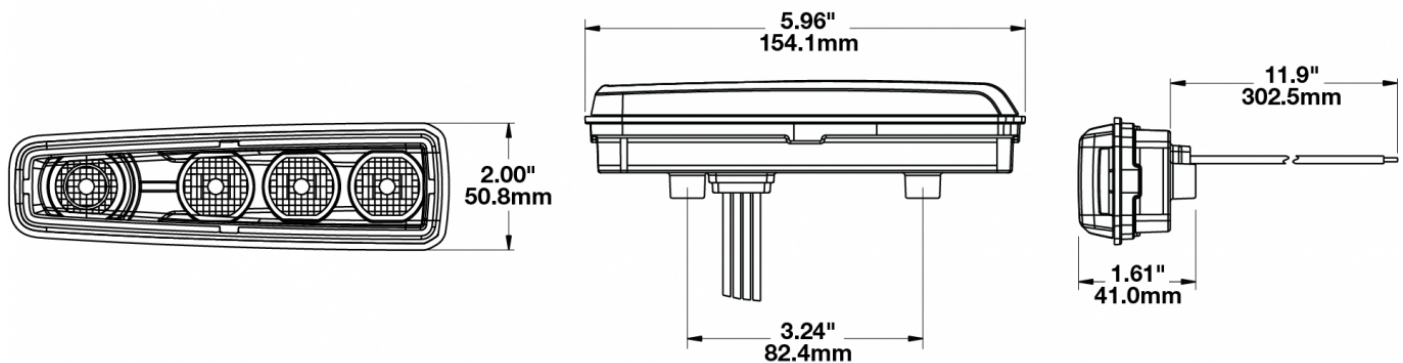
Print date: 2017-08-16

© 2017 J.W. Speaker Corporation • Germantown, WI U.S.A.
www.jwspeaker.com • speaker@jwspeaker.com • 262.251.6660

J.W. SPEAKER®
Engineered. Lighting. Solutions.

LED Headlight - Model 516

PRODUCT DIMENSIONS



ELECTRICAL SPECIFICATIONS

Input Voltage	12-24V DC
Operating Voltage	10-32V DC
Transient Spike Protection	Transient Spike Protection: 330V Peak @ 1 HZ-100 Pulses
Black Wire	Ground
Red Wire	Turn
White Wire	Low Beam
Yellow Wire	Position
Current Draw	0.340A @ 24V DC

REGULATORY STANDARDS COMPLIANCE



Buy America Standards
IEC IP67

Eco Friendly

Print date: 2017-08-16

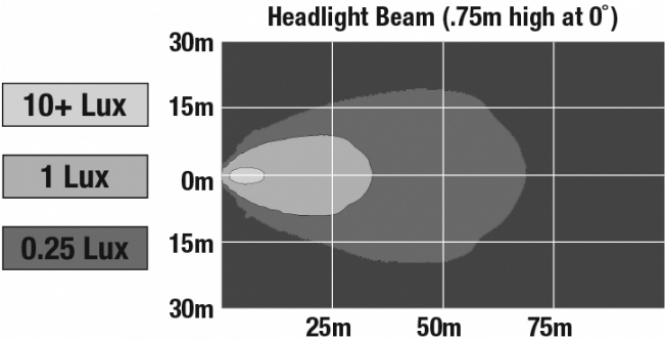
© 2017 J.W. Speaker Corporation • Germantown, WI U.S.A.
www.jwspeaker.com • speaker@jwspeaker.com • 262.251.6660

J.W. SPEAKER
Engineered. Lighting. Solutions.

LED Headlight - Model 516

PHOTOMETRIC SPECIFICATIONS

Raw Lumen Output 765
Effective Lumen Output 380
Beam Pattern(s) Signalization - Front Position
 Signalization - Turn (Front)
 Signalization - Turn (Rear)



APPLICATIONS



Print date: 2017-08-16

© 2017 J.W. Speaker Corporation • Germantown, WI U.S.A.
www.jwspeaker.com • speaker@jwspeaker.com • 262.251.6660

