

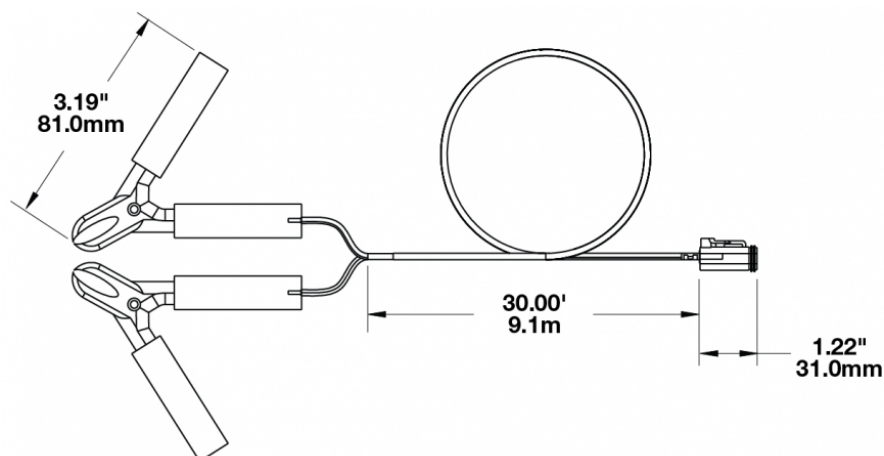
30' Power Cord Assembly for Model 4416

PRODUCT INFORMATION

Description	30' Power Cord Assembly for Model 4416
Width	9144.00 mm / 360 in
Connector or Wiring	Alligator Battery Clip / DEUTSCH DT06-2S
Shipping Weight	0.90 lbs / 0.41 kgs
Additional Information	Accessory Includes: (1) 30' vehicle power cord with battery clips



PRODUCT DIMENSIONS



Print date: 2017-08-18

© 2017 J.W. Speaker Corporation • Germantown, WI U.S.A.
www.jwspeaker.com • speaker@jwspeaker.com • 262.251.6660

J.W. SPEAKER
Engineered. Lighting. Solutions.

30' Power Cord Assembly for Model 4416

REGULATORY STANDARDS COMPLIANCE



Buy America Standards



Eco Friendly

SUITS THESE PRODUCTS



3.5" Round Portable LED Hand Lamp

LED Handheld Work
Light – Model 4416

Print date: 2017-08-18

© 2017 J.W. Speaker Corporation • Germantown, WI U.S.A.
www.jwspeaker.com • speaker@jwspeaker.com • 262.251.6660