

LED Ford Fog Lights - Model 6146

PRODUCT INFORMATION

Description	12V SAE/ECE RHT & LHT LED Fog Light with Chrome Inner Bezel (for 2005-2010 Model Years)
Height	100.33 mm / 3.95 in
Width	115.82 mm / 4.56 in
Depth	105.41 mm / 4.15 in
Shape	Round
Outer Lens Material	Hardcoated Polycarbonate
Outer Lens Color	Clear
Housing Material	Die-Cast Aluminum
Housing Color	Black
Bezel Color	Chrome
Mounting Type	Bumper Mount
Minimum Operating Temperature	-40 °C / -40 °F
Maximum Operating Temperature	65 °C / 149 °F
Mating Connector	Packard (#12059183)
Shipping Weight	0.93 lbs / 0.42 kgs
Additional Information	Two versions designed to retrofit Ford F-150 fog lights: 2005-2010 Ford F-150 and 2011-2014 Ford F-150



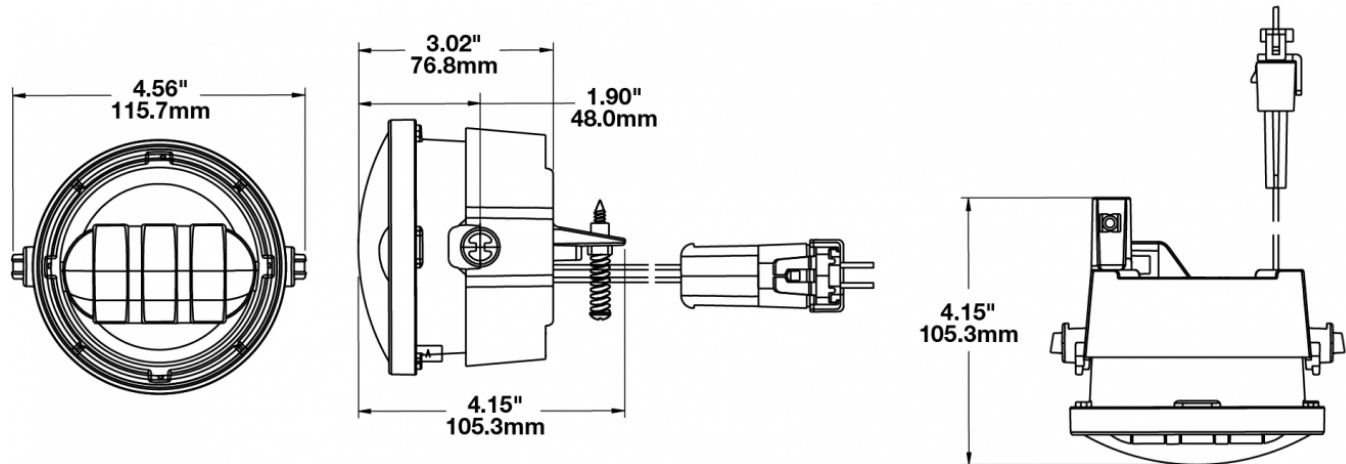
Print date: 2018-05-27

© 2018 J.W. Speaker Corporation • Germantown, WI U.S.A.
 www.jwspeaker.com • speaker@jwspeaker.com • 262.251.6660

J.W. SPEAKER 
 Engineered. Lighting. Solutions.

LED Ford Fog Lights - Model 6146

PRODUCT DIMENSIONS



ELECTRICAL SPECIFICATIONS

Input Voltage	12V DC
Operating Voltage	10-15V DC
Red Wire	Positive
Black Wire	Negative
Current Draw	1.6A @ 12V DC

REGULATORY STANDARDS COMPLIANCE



Buy America Standards
SAE J583

Eco Friendly

Print date: 2018-05-27

© 2018 J.W. Speaker Corporation • Germantown, WI U.S.A.
www.jwspeaker.com • speaker@jwspeaker.com • 262.251.6660

J.W. SPEAKER
Engineered. Lighting. Solutions.

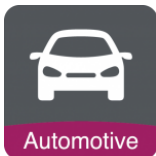
LED Ford Fog Lights - Model 6146

PHOTOMETRIC SPECIFICATIONS

Raw Lumen Output	1,080
Effective Lumen Output	610
Nominal LED Color Temperature	5000 K
Beam Pattern(s)	Forward Lighting - Fog



APPLICATIONS



RELATED PRODUCTS



Part Number
0549651

12V SAE/ECE RHT & LHT LED Fog Light with Black Inner Bezel (for 2011-2014 Model Years)



Part Number
0549661

12V SAE/ECE RHT & LHT LED Fog Light with Chrome Inner Bezel (for 2011-2014 Model Years)



Part Number
0549671

12V SAE/ECE RHT & LHT LED Fog Light with Black Inner Bezel (for 2005-2010 Model Years)

Print date: 2018-05-27

© 2018 J.W. Speaker Corporation • Germantown, WI U.S.A.
www.jwspeaker.com • speaker@jwspeaker.com • 262.251.6660