

# LED Ford Fog Lights - Model 6146

## PRODUCT INFORMATION

<b>Description</b>	12V SAE/ECE RHT & LHT LED Fog Light with Black Inner Bezel (for 2005-2010 Model Years)
<b>Height</b>	100.33 mm / 3.95 in
<b>Width</b>	115.82 mm / 4.56 in
<b>Depth</b>	105.41 mm / 4.15 in
<b>Shape</b>	Round
<b>Outer Lens Material</b>	Hardcoated Polycarbonate
<b>Outer Lens Color</b>	Clear
<b>Housing Material</b>	Die-Cast Aluminum
<b>Housing Color</b>	Black
<b>Bezel Color</b>	Black
<b>Mounting Type</b>	Bumper Mount
<b>Minimum Operating Temperature</b>	-40 °C / -40 °F
<b>Maximum Operating Temperature</b>	65 °C / 149 °F
<b>Mating Connector</b>	Packard (#12059183)
<b>Shipping Weight</b>	0.93 lbs / 0.42 kgs
<b>Additional Information</b>	Two versions designed to retrofit Ford F-150 fog lights: 2005-2010 Ford F-150 and 2011-2014 Ford F-150



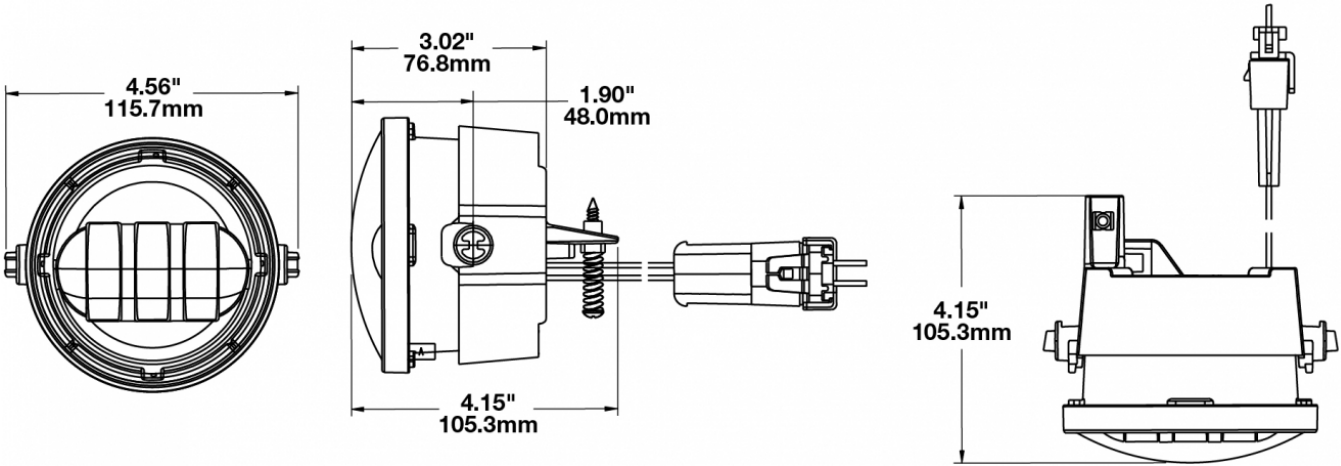
Print date: 2017-12-12

© 2017 J.W. Speaker Corporation • Germantown, WI U.S.A.  
[www.jwspeaker.com](http://www.jwspeaker.com) • [speaker@jwspeaker.com](mailto:speaker@jwspeaker.com) • 262.251.6660

**J.W. SPEAKER**   
 Engineered. Lighting. Solutions.

# LED Ford Fog Lights - Model 6146

## PRODUCT DIMENSIONS



## ELECTRICAL SPECIFICATIONS

<b>Input Voltage</b>	12V DC
<b>Operating Voltage</b>	10-15V DC
<b>Red Wire</b>	Positive
<b>Black Wire</b>	Negative
<b>Current Draw</b>	1.6A @ 12V DC

## REGULATORY STANDARDS COMPLIANCE



Buy America Standards  
SAE J583

Eco Friendly

Print date: 2017-12-12

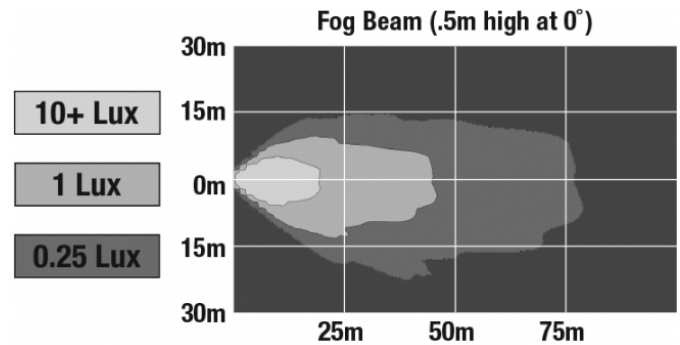
© 2017 J.W. Speaker Corporation • Germantown, WI U.S.A.  
www.jwspeaker.com • speaker@jwspeaker.com • 262.251.6660



# LED Ford Fog Lights - Model 6146

## PHOTOMETRIC SPECIFICATIONS

<b>Raw Lumen Output</b>	1,080
<b>Effective Lumen Output</b>	610
<b>Nominal LED Color Temperature</b>	5000 K
<b>Beam Pattern(s)</b>	Forward Lighting - Fog



## APPLICATIONS



## RELATED PRODUCTS



**Part Number**  
**0549651**

12V SAE/ECE RHT & LHT LED Fog Light with Black Inner Bezel (for 2011-2014 Model Years)



**Part Number**  
**0549661**

12V SAE/ECE RHT & LHT LED Fog Light with Chrome Inner Bezel (for 2011-2014 Model Years)



**Part Number**  
**0549681**

12V SAE/ECE RHT & LHT LED Fog Light with Chrome Inner Bezel (for 2005-2010 Model Years)

Print date: 2017-12-12

© 2017 J.W. Speaker Corporation • Germantown, WI U.S.A.  
www.jwspeaker.com • speaker@jwspeaker.com • 262.251.6660