

# Mounting Assembly Adapter Kit for Fog Lights

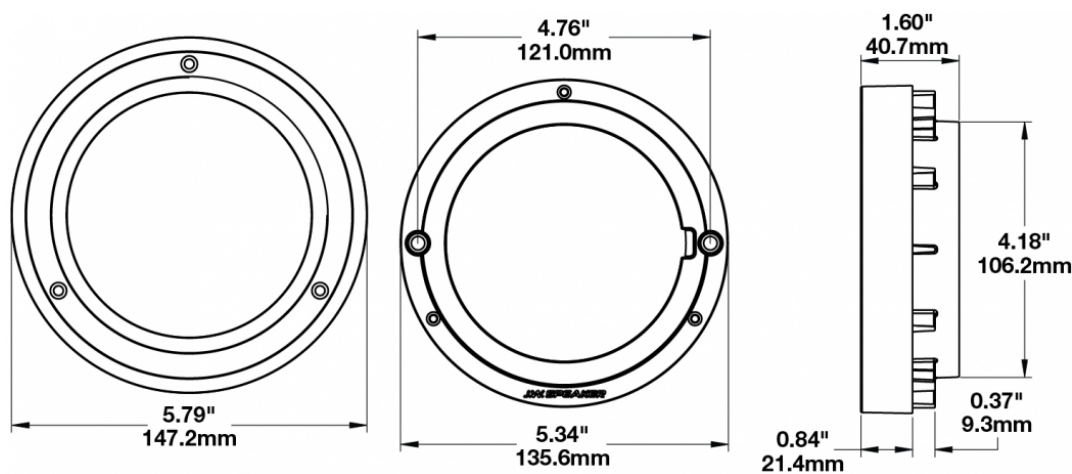
## Model 6045

### PRODUCT INFORMATION

<b>Description</b>	Mounting Assembly Adapter Kit for Fog Lights Model 6045
<b>Height</b>	101.60 mm / 4 in
<b>Width</b>	101.60 mm / 4 in
<b>Shape</b>	Round
<b>Bezel Color</b>	Chrome



### PRODUCT DIMENSIONS



Print date: 2017-08-23

© 2017 J.W. Speaker Corporation • Germantown, WI U.S.A.  
 www.jwspeaker.com • speaker@jwspeaker.com • 262.251.6660

# Mounting Assembly Adapter Kit for Fog Lights

## Model 6045

### REGULATORY STANDARDS COMPLIANCE

---



Buy America Standards



Eco Friendly

### APPLICATIONS

---



### ADDITIONAL INFORMATION

---

Mounting Assmebly includes:

- (2) Chrome bezels
- (6) #6 flat head stainless sheet metal screws
- (2) Adapter brackets
- (4) M5 socket head cap screws
- (8) M5 locknuts
- (4) 5mm washers
- (1) Instruction sheet

Note: This kit does not come with fog lamps – only the Mounting Assembly.

---

**Print date: 2017-08-23**

© 2017 J.W. Speaker Corporation • Germantown, WI U.S.A.  
www.jwspeaker.com • speaker@jwspeaker.com • 262.251.6660

# Mounting Assembly Adapter Kit for Fog Lights

## Model 6045

**SUITS THESE PRODUCTS**

---



**4.5" Round LED Fog  
Lamps**

LED Fog Lights - Model  
6045

---

**Print date: 2017-08-23**

© 2017 J.W. Speaker Corporation • Germantown, WI U.S.A.  
www.jwspeaker.com • speaker@jwspeaker.com • 262.251.6660