

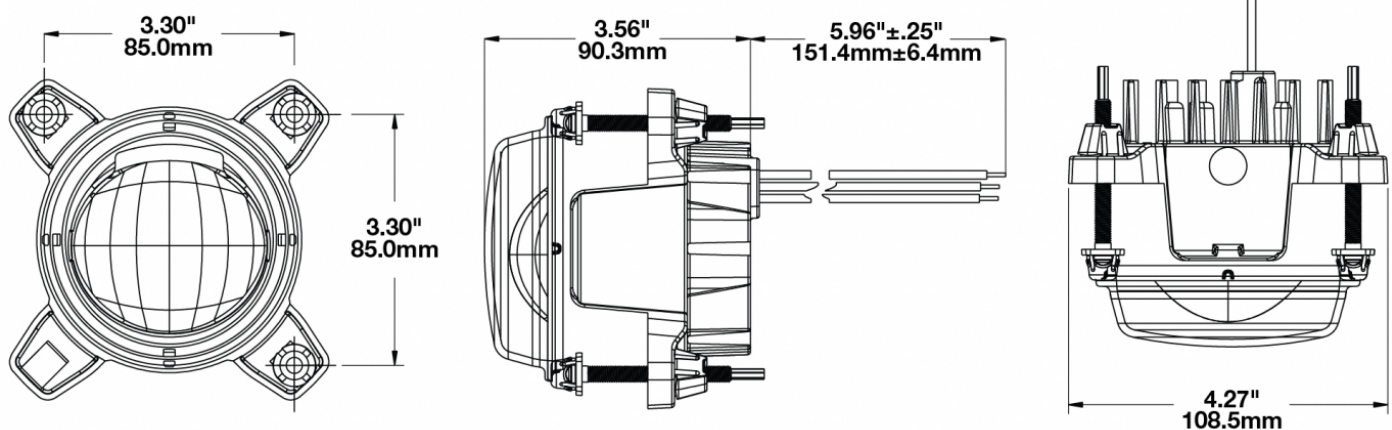
LED DRL & Fog Light - Model 92

PRODUCT INFORMATION

Description	12-24V SAE/ECE LED DRL & Fog Light
Height	108.46 mm / 4.27 in
Width	108.46 mm / 4.27 in
Depth	90.42 mm / 3.56 in
Shape	Round
Outer Lens Material	Polycarbonate
Outer Lens Color	Clear
Housing Material	Die-Cast Aluminum
Housing Color	Chrome
Mounting Hardware Description	(x3) Ball & Socket
Mounting Type	Low Profile Mount
Minimum Operating Temperature	-40 °C / -40 °F
Maximum Operating Temperature	65 °C / 149 °F
Connector or Wiring	6" Bare Leads
Product Weight	1.30 lbs / 0.59 kgs
Shipping Weight	1.35 lbs / 0.61 kgs



PRODUCT DIMENSIONS



Print date: 2018-07-22

© 2018 J.W. Speaker Corporation • Germantown, WI U.S.A.
www.jwspeaker.com • speaker@jwspeaker.com • 262.251.6660

J.W. SPEAKER
 Engineered. Lighting. Solutions.

LED DRL & Fog Light - Model 92

ELECTRICAL SPECIFICATIONS

Input Voltage	12-24V DC
Operating Voltage	10.5-38V DC
Transient Spike Protection	150V Peak @ 1 HZ-100 Pulses
Red Wire	Fog
Black Wire	Ground
Yellow Wire	DRL
Current Draw	0.80A @ 12V DC (Fog) 0.45A @ 24V DC (Fog) 0.60A @ 12V DC (DRL) 0.35A @ 24V DC (DRL)

REGULATORY STANDARDS COMPLIANCE



Buy America Standards
IEC IP67
SAE J583

Eco Friendly
SAE J2087

PHOTOMETRIC SPECIFICATIONS

Raw Lumen Output	720 (Fog Light)
Effective Lumen Output	350 (Fog Light)
Nominal LED Color Temperature	5000 K
Beam Pattern(s)	Forward Lighting - Daytime Running Light Forward Lighting - Fog

Print date: 2018-07-22

© 2018 J.W. Speaker Corporation • Germantown, WI U.S.A.
www.jwspeaker.com • speaker@jwspeaker.com • 262.251.6660

LED DRL & Fog Light - Model 92

APPLICATIONS



ACCESSORIES



Part Number

8200111

Model 90 Replacement
Adjuster Kit