

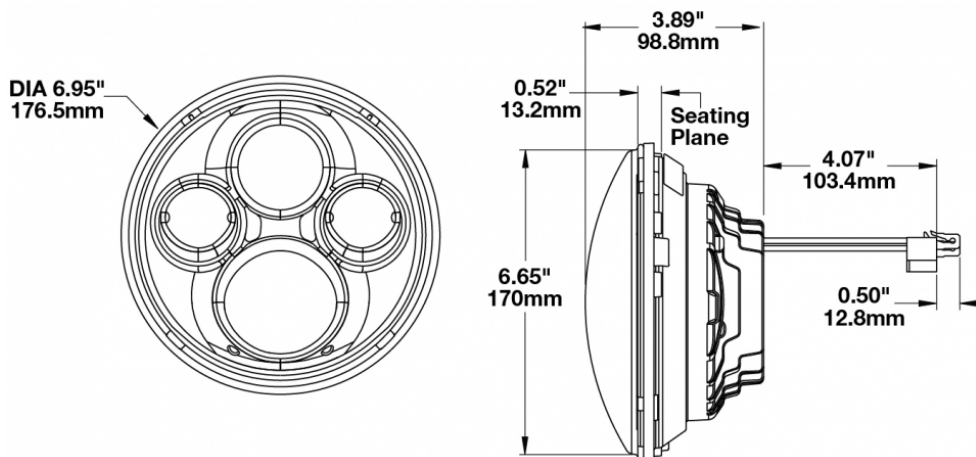
LED Auxiliary Driving Light - Model 8710

PRODUCT INFORMATION

Description	12-24V ECE LED RHT & LHT High Beam with Black Inner Bezel
Height	177.80 mm / 7 in
Width	177.80 mm / 7 in
Shape	Round
Outer Lens Material	Polycarbonate
Outer Lens Color	Clear
Housing Material	Aluminum
Housing Color	Black
Bezel Color	Black
Retrofits	PAR 56 High Beam
Minimum Operating Temperature	-40 °C / -40 °F
Maximum Operating Temperature	65 °C / 149 °F
Connector or Wiring	H4
Mating Connector	AMP# 172615-2
Product Weight	2.20 lbs / 1 kgs
Shipping Weight	3.10 lbs / 1.41 kgs



PRODUCT DIMENSIONS



Print date: 2017-10-23

© 2017 J.W. Speaker Corporation • Germantown, WI U.S.A.
 www.jwspeaker.com • speaker@jwspeaker.com • 262.251.6660

J.W. SPEAKER
 Engineered. Lighting. Solutions.

LED Auxiliary Driving Light - Model 8710

ELECTRICAL SPECIFICATIONS

Input Voltage	12-24V DC
Operating Voltage	9-32V DC
Black Wire	Ground
white Wire	Positive
Current Draw	4.80A @ 12V DC 2.50A @ 24V DC

REGULATORY STANDARDS COMPLIANCE

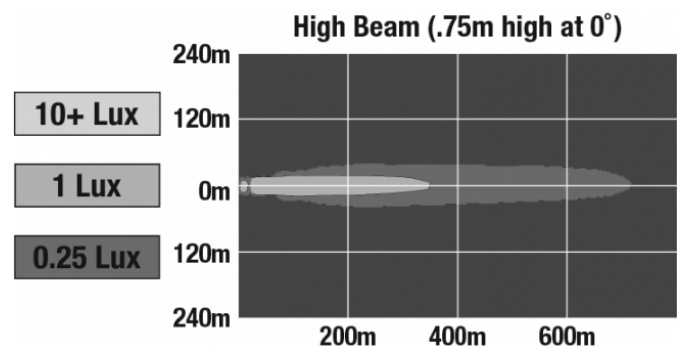


Buy America Standards
Eco Friendly

ECE Reg 112
IEC IP67

PHOTOMETRIC SPECIFICATIONS

Raw Lumen Output	3,300
Effective Lumen Output	1,440
Candela Output	133,000
Nominal LED Color Temperature	4750 K
Beam Pattern(s)	Forward Lighting - High Beam (ECE)



Print date: 2017-10-23

© 2017 J.W. Speaker Corporation • Germantown, WI U.S.A.
www.jwspeaker.com • speaker@jwspeaker.com • 262.251.6660

LED Auxiliary Driving Light - Model 8710

APPLICATIONS



ACCESSORIES



Part Number
3156351

Mounting Ring Kit for
7" Round (PAR56)
Headlights



Part Number
3156561

Panel Mount Bucket
Assembly for 8700
Evolution & 8710
Series



Part Number
3266081

Jumper Harness
H4/H13 for 8700
Evolution & 8710
Series

RELATED PRODUCTS



Part Number
0550011

12-24V ECE LED RHT &
LHT High Beam with
Chrome Inner Bezel

Print date: 2017-10-23

© 2017 J.W. Speaker Corporation • Germantown, WI U.S.A.
www.jwspeaker.com • speaker@jwspeaker.com • 262.251.6660