

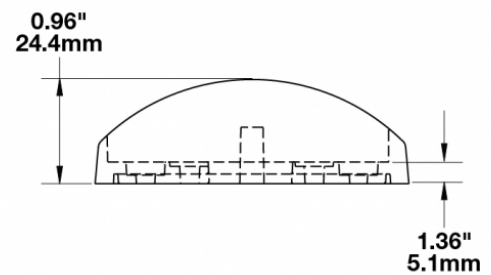
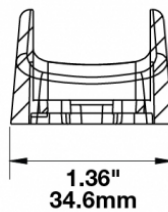
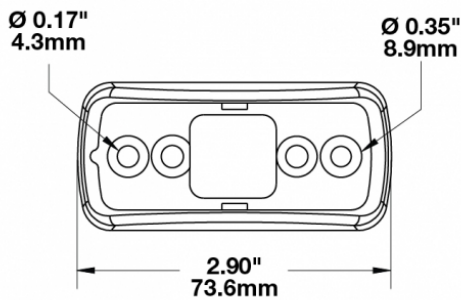
Replacement Mounting Assembly for Model 150 LED Lights

PRODUCT INFORMATION

Description	Replacement Mounting Assembly for Model 150 LED Lights
Product Weight	0.04 lbs / 0.02 kgs



PRODUCT DIMENSIONS



Print date: 2017-11-25

© 2017 J.W. Speaker Corporation • Germantown, WI U.S.A.
www.jwspeaker.com • speaker@jwspeaker.com • 262.251.6660

Replacement Mounting Assembly for Model 150

LED Lights

REGULATORY STANDARDS COMPLIANCE



Buy America Standards

SUITS THESE PRODUCTS



3" x 1" LED Dome & Marker Lamps

LED Dome & Marker
Lights - Model 150

Print date: 2017-11-25

© 2017 J.W. Speaker Corporation • Germantown, WI U.S.A.
www.jwspeaker.com • speaker@jwspeaker.com • 262.251.6660