

LED Dome Lights - Model 411

PRODUCT INFORMATION

Description	12-24V LED Dome Light with On/Off/Door Rocker Switch
Height	75.44 mm / 2.97 in
Width	165.35 mm / 6.51 in
Depth	24.64 mm / 0.97 in
Shape	Rectangular
Outer Lens Material	Polycarbonate
Outer Lens Color	Clear
Housing Material	Polycarbonate
Housing Color	Black
Mounting Hardware Description	(x2) #8-32 x Phillips Taptite Mounting Screws
Mounting Type	Flush Mount
Minimum Operating Temperature	-40 °C / -40 °F
Maximum Operating Temperature	65 °C / 149 °F
Connector or Wiring	Bare Leads
Product Weight	0.21 lbs / 0.1 kgs
Shipping Weight	0.90 lbs / 0.41 kgs



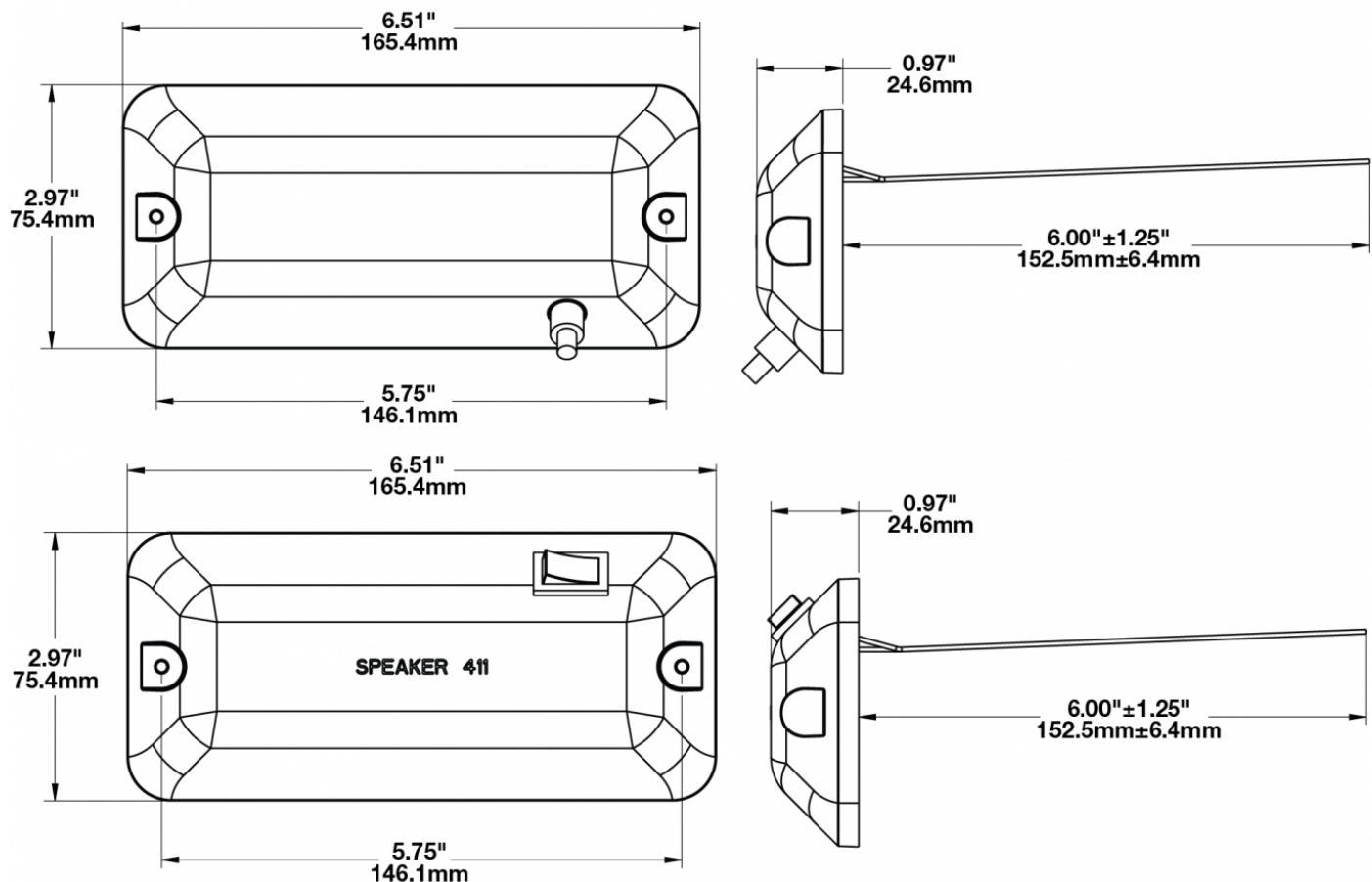
Print date: 2018-07-22

© 2018 J.W. Speaker Corporation • Germantown, WI U.S.A.
 www.jwspeaker.com • speaker@jwspeaker.com • 262.251.6660

J.W. SPEAKER®
 Engineered. Lighting. Solutions.

LED Dome Lights - Model 411

PRODUCT DIMENSIONS



ELECTRICAL SPECIFICATIONS

Input Voltage	12-24V DC
Operating Voltage	9-32V DC
Transient Spike Protection	150V Peak @ 1 HZ-100 Pulses
Red Wire	Positive
Black Wire	Negative
Current Draw	0.14A @ 12V DC 0.09A @ 24V DC

Print date: 2018-07-22

© 2018 J.W. Speaker Corporation • Germantown, WI U.S.A.
www.jwspeaker.com • speaker@jwspeaker.com • 262.251.6660

LED Dome Lights - Model 411

REGULATORY STANDARDS COMPLIANCE



Buy America Standards
Eco Friendly



ECE Reg 10
Tested to ECE Reg. 10
(Radiated Emissions only)

PHOTOMETRIC SPECIFICATIONS

Nominal LED Color Temperature 5000 K

Beam Pattern(s) Interior - Dome Light

APPLICATIONS



Print date: 2018-07-22

© 2018 J.W. Speaker Corporation • Germantown, WI U.S.A.
www.jwspeaker.com • speaker@jwspeaker.com • 262.251.6660

LED Dome Lights - Model 411

RELATED PRODUCTS



Part Number

0443281

12-24V LED Dome
Light with On/Off
Button