

LED Work Lights – Model 7150

PRODUCT INFORMATION

| | |
|--------------------------------------|-------------------------------------------------------------------|
| Description | 12-24V LED Work Light with Polycarbonate Lens & Spot Beam Pattern |
| Height | 155.96 mm / 6.14 in |
| Width | 172.47 mm / 6.79 in |
| Depth | 77.11 mm / 3.04 in |
| Shape | Oval |
| Outer Lens Material | Polycarbonate |
| Outer Lens Color | Clear |
| Housing Material | Die-Cast Aluminum |
| Housing Color | Black |
| Mounting Hardware Description | (x1) 1/2"-13 x 1" |
| Minimum Operating Temperature | -40 °C / -40 °F |
| Maximum Operating Temperature | 65 °C / 149 °F |
| Connector or Wiring | Deutsch DT04-2P |
| Mating Connector | Deutsch DT06-2S |
| Product Weight | 2.10 lbs / 0.95 kgs |
| Shipping Weight | 2.10 lbs / 0.95 kgs |



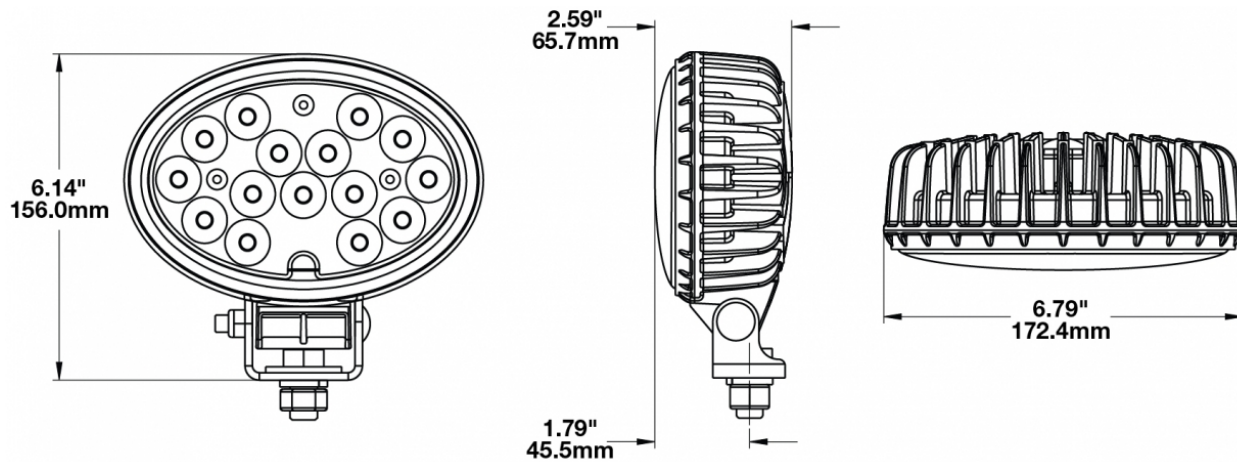
Print date: 2017-12-11

© 2017 J.W. Speaker Corporation • Germantown, WI U.S.A.
 www.jwspeaker.com • speaker@jwspeaker.com • 262.251.6660

J.W. SPEAKER
 Engineered. Lighting. Solutions.

LED Work Lights – Model 7150

PRODUCT DIMENSIONS



ELECTRICAL SPECIFICATIONS

| | |
|-----------------------------------|----------------------------------|
| Input Voltage | 12-24V DC |
| Operating Voltage | 10-32V DC |
| Transient Spike Protection | 330V Peak @ 1 HZ-100 Pulses |
| Red Wire | Power - Positive |
| Black Wire | Ground - Negative |
| Current Draw | 5.50A @ 12V DC 3.20A @ 24V DC |

REGULATORY STANDARDS COMPLIANCE



Buy America Standards
CISPR 22
IEC IP69K

CISPR 12
Eco Friendly
SAE J1113-13

Print date: 2017-12-11

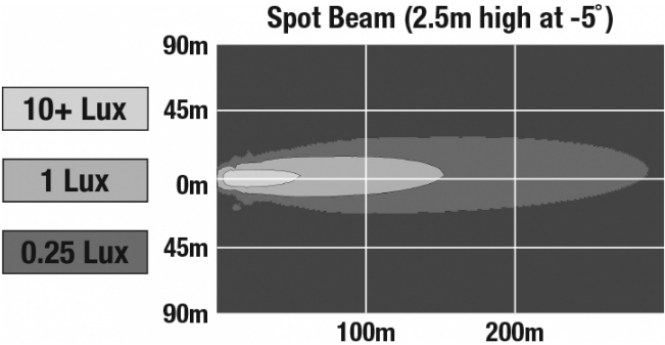
© 2017 J.W. Speaker Corporation • Germantown, WI U.S.A.
www.jwspeaker.com • speaker@jwspeaker.com • 262.251.6660

J.W. SPEAKER
Engineered. Lighting. Solutions.

LED Work Lights – Model 7150

PHOTOMETRIC SPECIFICATIONS

| | |
|--------------------------------------|-------------------------|
| Raw Lumen Output | 5,400 |
| Effective Lumen Output | 4,500 |
| Nominal LED Color Temperature | 5000 K |
| Beam Pattern(s) | Forward Lighting - Spot |



APPLICATIONS



RELATED PRODUCTS



Part Number
1801571
12-24V LED Work Light with Polycarbonate Lens & Trapezoid Beam Pattern



Part Number
1801581
12-24V LED Work Light with Polycarbonate Lens & Flood Beam Pattern



Part Number
1801781
12-24V LED Work Light with Glass Lens & Trapezoid Beam Pattern



Part Number
1801791
12-24V LED Work Light with Glass Lens & Flood Beam Pattern