

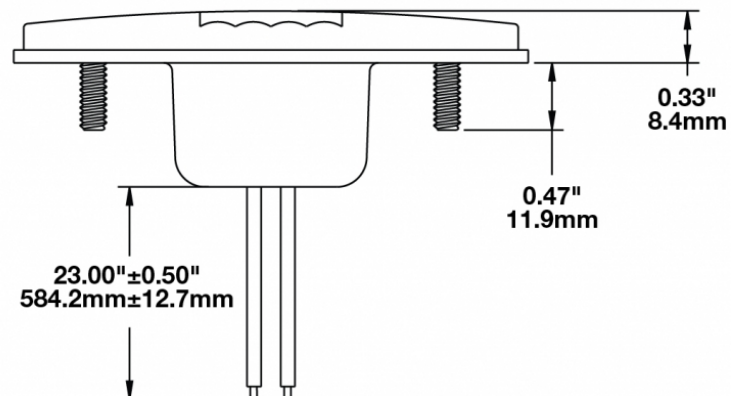
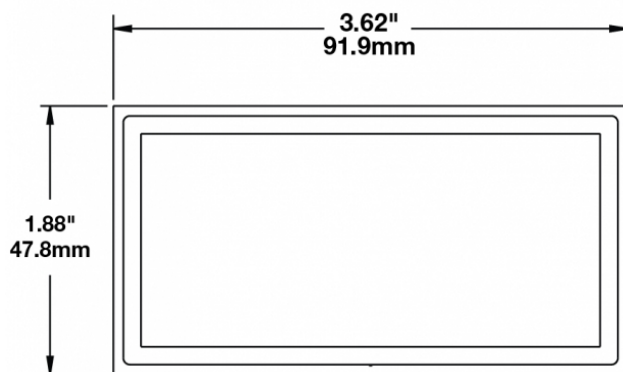
LED Clearance & Marker Lights - Model 170

PRODUCT INFORMATION

Description	12V ECE/SAE Amber LED Side Marker Light
Height	47.75 mm / 1.88 in
Width	91.95 mm / 3.62 in
Depth	8.38 mm / 0.33 in
Shape	Rectangular
Outer Lens Material	Acrylic
Outer Lens Color	Amber
Housing Material	ABS
Housing Color	Black
Mounting Type	Low Profile Mount
Minimum Operating Temperature	-40 °C / -40 °F
Maximum Operating Temperature	65 °C / 149 °F
Connector or Wiring	23" Bare Leads
Product Weight	0.13 lbs / 0.06 kgs
Shipping Weight	1.14 lbs / 0.52 kgs



PRODUCT DIMENSIONS



Print date: 2018-10-24

© 2018 J.W. Speaker Corporation • Germantown, WI U.S.A.
 www.jwspeaker.com • speaker@jwspeaker.com • 262.251.6660

J.W. SPEAKER
 Engineered. Lighting. Solutions.

LED Clearance & Marker Lights - Model 170

ELECTRICAL SPECIFICATIONS

Input Voltage	12V DC
Red Wire	Positive
Black Wire	Negative
Current Draw	0.055-0.070 A @ 12V DC

REGULATORY STANDARDS COMPLIANCE



Buy America Standards	ECE Reg 3
ECE Reg 91	Eco Friendly
FMVSS 108 Table XVI	SAE J594

PHOTOMETRIC SPECIFICATIONS

Beam Pattern(s)	Signalization - Clearance Signalization - Turn (Front) Signalization - Turn (Rear)
------------------------	--

APPLICATIONS



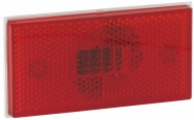
Print date: 2018-10-24

© 2018 J.W. Speaker Corporation • Germantown, WI U.S.A.
www.jwspeaker.com • speaker@jwspeaker.com • 262.251.6660

J.W. SPEAKER
Engineered. Lighting. Solutions.

LED Clearance & Marker Lights - Model 170

RELATED PRODUCTS



Part Number

0230721

12V ECE/SAE Red LED
Side Marker Light