

# LED Headlights - Model 8700 Evolution J2 Series

## PRODUCT INFORMATION

<b>Description</b>	12V DOT LED High & Low Beam Headlights with Carbon Fiber Bezel - 2 Light Kit
<b>Height</b>	176.53 mm / 6.95 in
<b>Width</b>	176.53 mm / 6.95 in
<b>Depth</b>	99.82 mm / 3.93 in
<b>Shape</b>	Round
<b>Outer Lens Material</b>	Polycarbonate
<b>Outer Lens Color</b>	Clear
<b>Housing Material</b>	Die-Cast Aluminum
<b>Housing Color</b>	Gray
<b>Bezel Color</b>	Black Carbon Fiber
<b>Retrofits</b>	7" round headlights or 2D1 PAR56
<b>Minimum Operating Temperature</b>	-40 °C / -40 °F
<b>Maximum Operating Temperature</b>	65 °C / 149 °F
<b>Connector or Wiring</b>	H13 Delphi 15326813
<b>Product Weight</b>	2.31 lbs / 1.05 kgs
<b>Shipping Weight</b>	6.55 lbs / 2.97 kgs



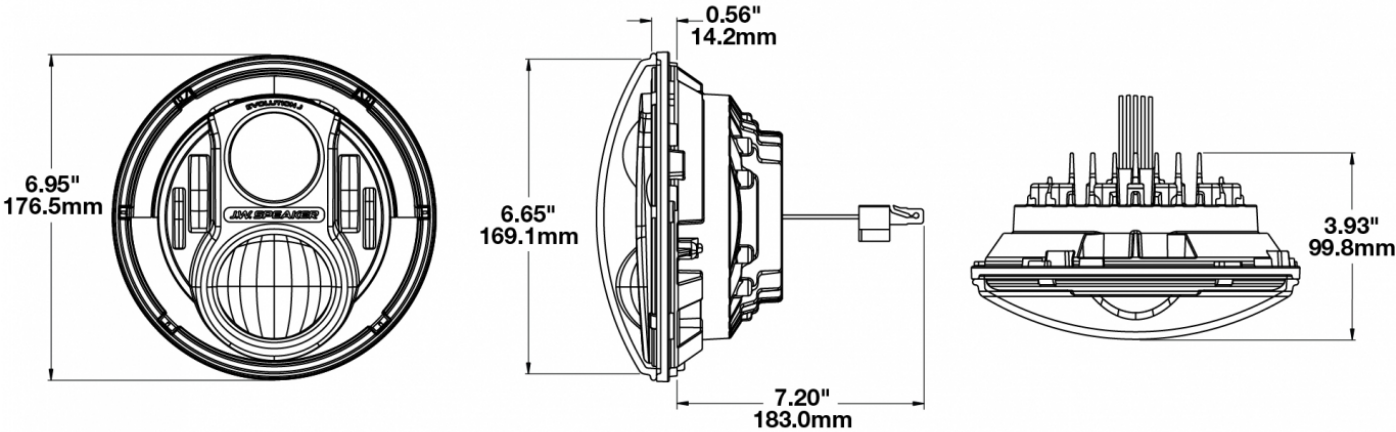
Print date: 2017-10-18

© 2017 J.W. Speaker Corporation • Germantown, WI U.S.A.  
[www.jwspeaker.com](http://www.jwspeaker.com) • [speaker@jwspeaker.com](mailto:speaker@jwspeaker.com) • 262.251.6660

**J.W. SPEAKER**   
 Engineered. Lighting. Solutions.

# LED Headlights - Model 8700 Evolution J2 Series

## PRODUCT DIMENSIONS



## ELECTRICAL SPECIFICATIONS

<b>Input Voltage</b>	12V DC
<b>Operating Voltage</b>	9-16V DC
<b>Transient Spike Protection</b>	150V Peak @ 1 HZ-100 Pulses
<b>Black Wire</b>	Ground
<b>White Wire</b>	High Beam
<b>Yellow Wire</b>	Low Beam
<b>Current Draw</b>	4.20A @ 12V DC (High Beam) 2.00A @ 12V DC (Low Beam)

## REGULATORY STANDARDS COMPLIANCE



Buy America Standards  
FMVSS 108 Table XIX  
IEC IP67

Eco Friendly  
FMVSS 108 Table XVIII

Print date: 2017-10-18

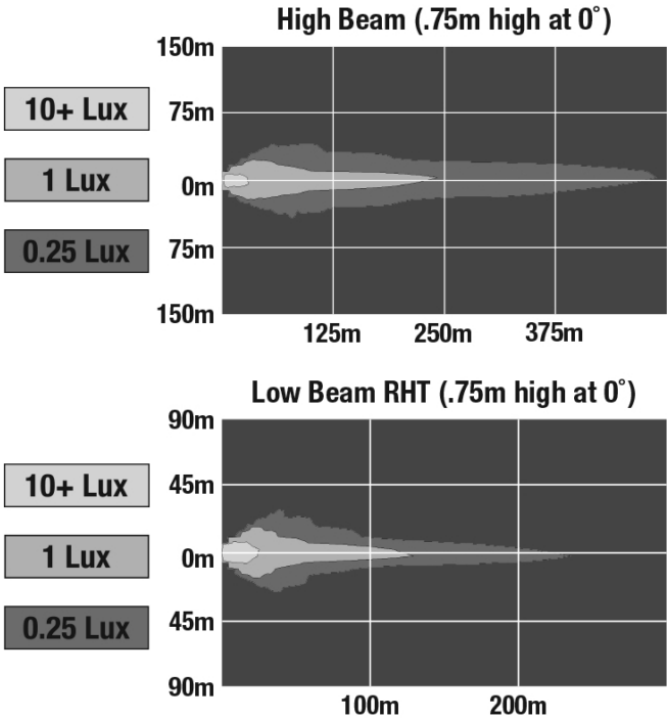
© 2017 J.W. Speaker Corporation • Germantown, WI U.S.A.  
www.jwspeaker.com • speaker@jwspeaker.com • 262.251.6660



# LED Headlights - Model 8700 Evolution J2 Series

## PHOTOMETRIC SPECIFICATIONS

<b>Raw Lumen Output</b>	3,200 (High Beam); 1,770 (Low Beam)
<b>Effective Lumen Output</b>	1,260 (High Beam); 750 (Low Beam)
<b>Candela Output</b>	71,500 (High Beam); 35,003 (Low Beam)
<b>Nominal LED Color Temperature</b>	5000 K
<b>Beam Pattern(s)</b>	Forward Lighting - High Beam (DOT) Forward Lighting - Low Beam (DOT)



## APPLICATIONS



Print date: 2017-10-18

© 2017 J.W. Speaker Corporation • Germantown, WI U.S.A.  
www.jwspeaker.com • speaker@jwspeaker.com • 262.251.6660



# LED Headlights - Model 8700 Evolution J2 Series

## INSTALLATION & APPLICATION INFORMATION

**The Model 8700 Evolution J2 Series is intended for use on 2007+ Jeep Wranglers & Jeep Wrangler Unlimited.**

This series will fit 2017 Jeep JK models. However, it is only plug & play for the following models (identified with an X below). All others will need to be modified with a ring kit.

### 2017 Jeep Wrangler

Model	Halogen	LED Standard
Sport	X	
Sport S	X	
Willys Wheeler	X	
Big Bear	X	
Freedom Edition	X	
Sahara		X
75th Anniversary Edition		X
Rubicon		X
Smoky Mountain		X
Chief		X
Winter		X
Rubicon Hard Rock		X
Rubicon Recon		X

**Print date: 2017-10-18**

© 2017 J.W. Speaker Corporation • Germantown, WI U.S.A.  
 www.jwspeaker.com • speaker@jwspeaker.com • 262.251.6660

# LED Headlights - Model 8700 Evolution J2 Series

## ADDITIONAL INFORMATION

This light has been updated with Dual Burn™ high beam optics.

This technology combines your high and low beam when turning on your high beam, providing the driver with both widespread visibility along with a powerful punch of light down the road.



**LOW BEAM**



**STANDARD  
HIGH BEAM**



**DUAL BURN™  
HIGH BEAM**

## RELATED PRODUCTS



**Part Number**  
**0553983**

12V ECE RHT LED High & Low Beam Headlights with FP, DRL, & Carbon Fiber Bezel - 2 Light Kit



**Part Number**  
**0553993**

12V ECE LHT LED High & Low Beam Headlights with FP, DRL, & Carbon Fiber Bezel - 2 Light Kit



**Part Number**  
**0554543**

12V DOT LED High & Low Beam Headlights with Black Bezel - 2 Light Kit



**Part Number**  
**0554553**

12V ECE RHT LED High & Low Beam Headlights with FP, DRL, & Black Bezel - 2 Light Kit



**Part Number**  
**0554563**

12V ECE LHT LED High & Low Beam Headlights with FP, DRL, & Black Bezel - 2 Light Kit

Print date: 2017-10-18

© 2017 J.W. Speaker Corporation • Germantown, WI U.S.A.  
www.jwspeaker.com • speaker@jwspeaker.com • 262.251.6660

**J.W. SPEAKER**   
Engineered. Lighting. Solutions.