

LED Work Light - Model 528

PRODUCT INFORMATION

Description	12-24V LED White Work Light
Height	123.00 mm / 4.84 in
Width	258.00 mm / 10.16 in
Depth	102.00 mm / 4.02 in
Shape	Rectangular
Outer Lens Material	Glass
Outer Lens Color	Clear
Housing Material	Xenoy
Housing Color	Black
Bezel Color	Black
Mounting Hardware Description	(x2) M8-1.25 Mounting Bolt
Mounting Type	Universal Pedestal Mount
Minimum Operating Temperature	-40 °C / -40 °F
Maximum Operating Temperature	65 °C / 149 °F
Connector or Wiring	Integrated 2-Pin Deutsch Weatherproof Socket (DT04-2P)
Mating Connector	Integrated 2-Pin Deutsch Weatherproof Plug (DT06-2S)
Shipping Weight	5.60 lbs / 2.54 kgs



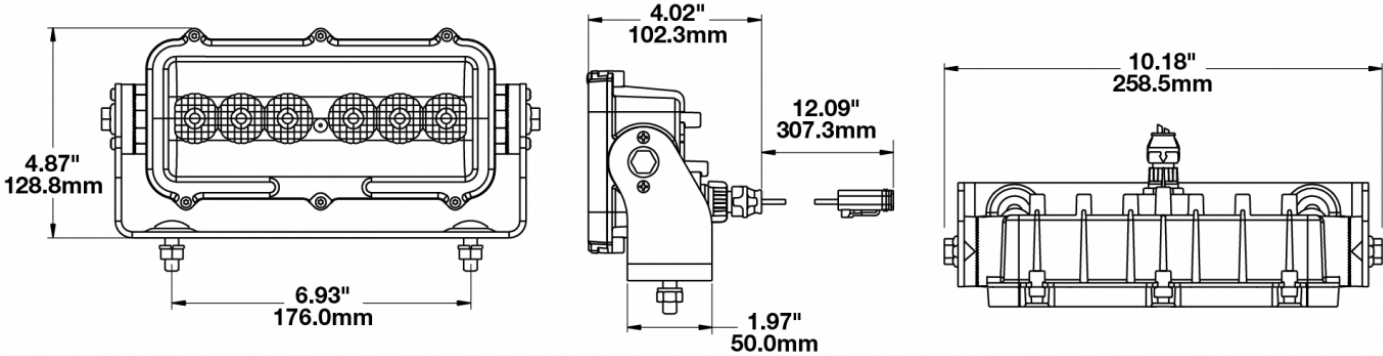
Print date: 2018-04-19

© 2018 J.W. Speaker Corporation • Germantown, WI U.S.A.
 www.jwspeaker.com • speaker@jwspeaker.com • 262.251.6660

J.W. SPEAKER
 Engineered. Lighting. Solutions.

LED Work Light - Model 528

PRODUCT DIMENSIONS



ELECTRICAL SPECIFICATIONS

Input Voltage	12-24V DC
Operating Voltage	10-32V DC
Red Wire	Positive
Black Wire	Ground
Current Draw	1.60A @ 12V DC 0.85A @ 24V DC

REGULATORY STANDARDS COMPLIANCE



Buy America Standards
IEC IP69K

Eco Friendly

Print date: 2018-04-19

© 2018 J.W. Speaker Corporation • Germantown, WI U.S.A.
www.jwspeaker.com • speaker@jwspeaker.com • 262.251.6660



LED Work Light - Model 528

PHOTOMETRIC SPECIFICATIONS

Raw Lumen Output	2,400
Effective Lumen Output	1,500
Candela Output	2,800
Nominal LED Color Temperature	5700 K
Beam Pattern(s)	Forward Lighting - Flood (Medium)

APPLICATIONS



Print date: 2018-04-19

© 2018 J.W. Speaker Corporation • Germantown, WI U.S.A.
www.jwspeaker.com • speaker@jwspeaker.com • 262.251.6660