

# LED Tail Lights - Model 234

## PRODUCT INFORMATION

<b>Description</b>	12-48V DOT LED Non-Heated Stop & Tail Light
<b>Height</b>	20.28 mm / 0.8 in
<b>Width</b>	110.14 mm / 4.34 in
<b>Depth</b>	39.53 mm / 1.56 in
<b>Shape</b>	Round
<b>Outer Lens Material</b>	Polycarbonate
<b>Outer Lens Color</b>	Red
<b>Housing Material</b>	Polycarbonate
<b>Housing Color</b>	Black
<b>Bezel Color</b>	Black
<b>Mounting Type</b>	Grommet
<b>Connector or Wiring</b>	Bare Leads
<b>Mating Connector</b>	None. 3-Pin AMP Connector (#282087-1) sold separately.
<b>Product Weight</b>	0.30 lbs / 0.14 kgs
<b>Shipping Weight</b>	0.55 lbs / 0.25 kgs



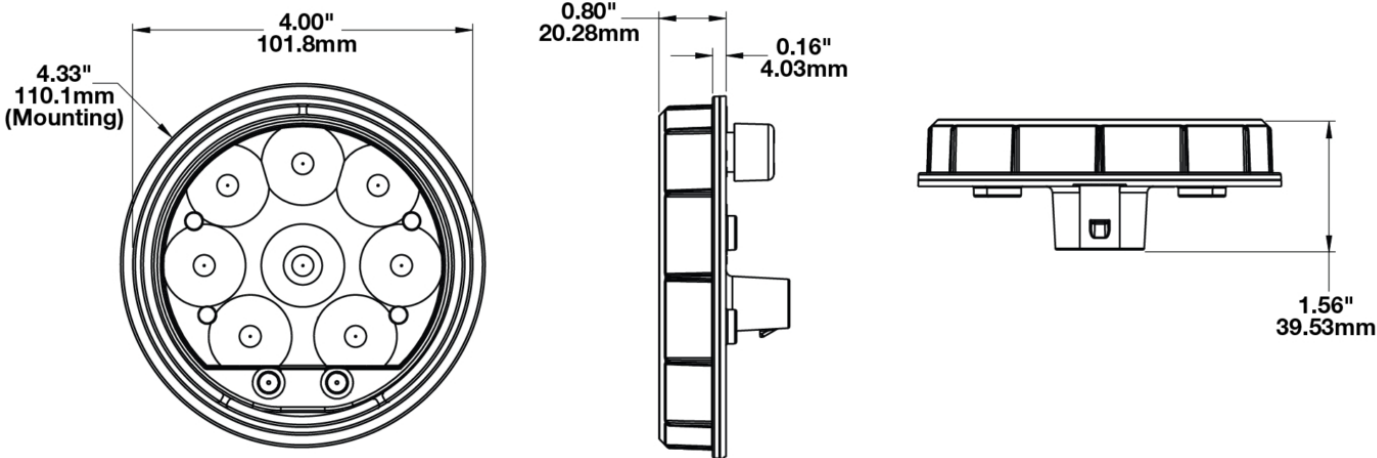
Print date: 2017-08-17

© 2017 J.W. Speaker Corporation • Germantown, WI U.S.A.  
[www.jwspeaker.com](http://www.jwspeaker.com) • [speaker@jwspeaker.com](mailto:speaker@jwspeaker.com) • 262.251.6660

**J.W. SPEAKER**   
 Engineered. Lighting. Solutions.

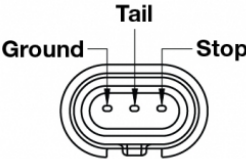
# LED Tail Lights - Model 234

## PRODUCT DIMENSIONS

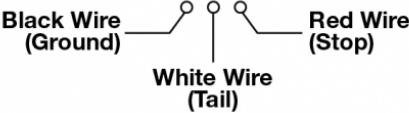


### Pin Out Information

LIGHT (Socket shown ↑ top)



### WIRE HARNESS



Print date: 2017-08-17

© 2017 J.W. Speaker Corporation • Germantown, WI U.S.A.  
www.jwspeaker.com • speaker@jwspeaker.com • 262.251.6660

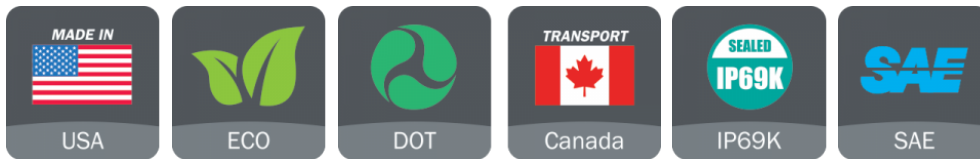


# LED Tail Lights - Model 234

## ELECTRICAL SPECIFICATIONS

<b>Input Voltage</b>	12-48V DC
<b>Operating Voltage</b>	10-60V DC
<b>Current Draw</b>	.010A @ 12V DC (Tail) .010A @ 24V DC (Tail) .010A @ 36V DC (Tail) .010A @ 48V DC (Tail) .120A @ 12V DC (Stop) .075A @ 24V DC (Stop) .060A @ 36V DC (Stop) .050A @ 48V DC (Stop)

## REGULATORY STANDARDS COMPLIANCE



Buy America Standards	Eco Friendly
FMVSS 108 Table IX	FMVSS 108 Table VII
FMVSS 108 Table VIII	IEC IP69K
SAE J585	SAE J586
SAE J588	

## PHOTOMETRIC SPECIFICATIONS

<b>Effective Lumen Output</b>	55
<b>Beam Pattern(s)</b>	Signalization - Stop Signalization - Tail Signalization - Turn (Rear)

Print date: 2017-08-17

© 2017 J.W. Speaker Corporation • Germantown, WI U.S.A.  
www.jwspeaker.com • speaker@jwspeaker.com • 262.251.6660

# LED Tail Lights - Model 234

## APPLICATIONS

---



## ACCESSORIES

---



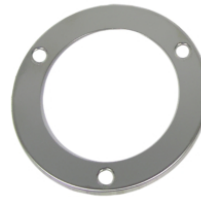
**Part Number**  
**3270501**  
3-Pin AMP Connector  
(#282087-1) Wire  
Harness Assembly



**Part Number**  
**4242731**  
4" Round Rubber  
Mounting Grommet  
for Model 234



**Part Number**  
**5869401**  
4" Round Plastic  
Mounting Flange for  
Model 234



**Part Number**  
**8200441**  
4" Round Stainless  
Steel Trim Ring for  
Model 234



**Part Number**  
**8200451**  
4" Round Chrome  
Plastic Trim Ring for  
Model 234

# LED Tail Lights - Model 234

## RELATED PRODUCTS

---



**Part Number**  
**0346261**  
12-24V DOT LED  
Heated Stop & Tail  
Light



**Part Number**  
**0346264**  
12-24V DOT LED  
Heated Stop & Tail  
Light with Harness



**Part Number**  
**0346471**  
12-24V DOT LED  
Heated Reverse Light



**Part Number**  
**0346474**  
12-24V DOT LED  
Heated Reverse Light  
with Harness



**Part Number**  
**0347811**  
12-24V DOT LED  
Heated Turn Signal



**Part Number**  
**0347814**  
12-24V DOT LED  
Heated Turn Signal  
with Harness