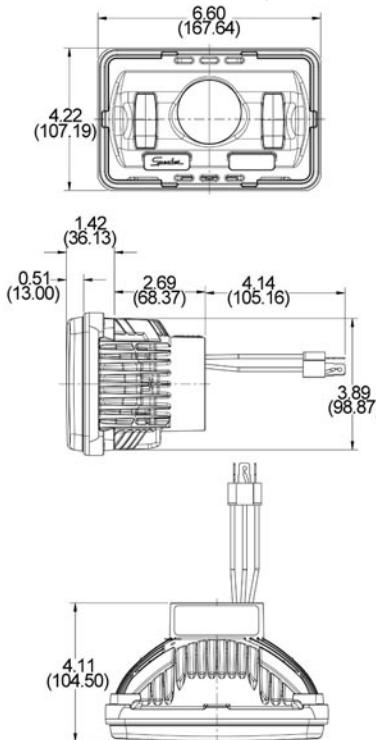




Model 8800 High Beam (top) and Low Beam (bottom) LED Headlights



Product List

Model Number	Description
8800-12/24V HB	12-24V LED High Beam Headlight
8800-12/24V LB	12-24V LED Low Beam Headlight

Features & Benefits

- 1,300 Raw Lumens; 850 Effective Lumens
- Available in a 12-24V DC configuration
- Hardened glass or UV-resistant polycarbonate lens options
- Rugged solid state LEDs can withstand shock & vibration
- Long-lasting LEDs mean never having to replace another bulb again!
- Die-cast aluminum housing provides maximum protection
- Low profile mount
- Plug & play replacements for 1A1 and 2A1 sealed beams in most applications
- Also available in a variety of mounting assembly configurations:
 - One high beam or low beam headlight in a single bucket assembly (Model 8801)
 - One high beam & one low beam headlight in a dual bucket assembly (Model 8802)

General Specifications

Lens Material :	Glass or Hardcoated Polycarbonate
Warranty:	4-year Limited Warranty
Housing Material :	Die-Cast Aluminum
Mounting :	Low Profile Mount
Connector:	AMP (#172615-2)
Mating Connector:	LH Terminal - AMP (#172795-1); RH Terminal - AMP (#172796-1)

Technical Specifications

High Beam Version	Low Beam Version
12-24V DC Input	12-24V DC Input
3.60 Amps @ 12V DC	3.60 Amps @ 12V DC
1.50 Amps @ 24V DC	1.50 Amps @ 24V DC
Raw Lumen Output: 1300	Raw Lumen Output: 1300
Effective Lumen Output: 850	Effective Lumen Output: 750

Standards Compliance

DOT Approved	FMVSS 108
CMVSS 108	Buy America Compliant
ECE Reg. 112	Sealed to IP67

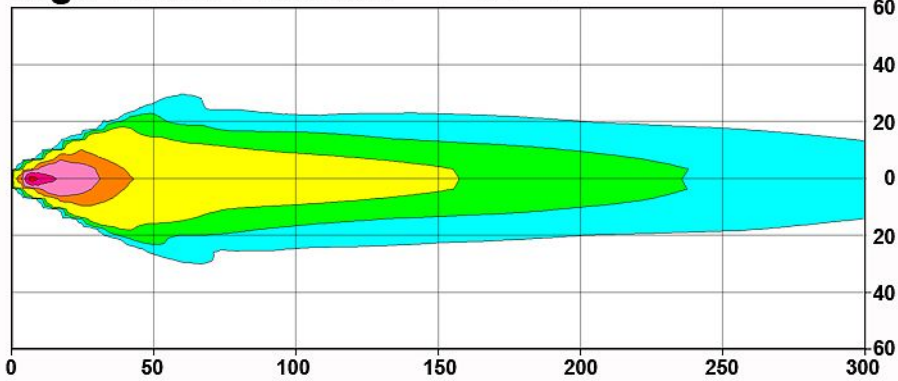
Applications

Agricultural	Construction	Fire & Rescue
Forestry	Industrial	Law Enforcement
Lawn & Garden	Military	Mining
Off-Highway	On-Highway	Recreational
Specialty Trucks	Utility	

Model 8800

High Beam Pattern (1.0m high, -0°)

68 Max.



Low Beam Pattern (1.0m high, -0°)

60 Max.

