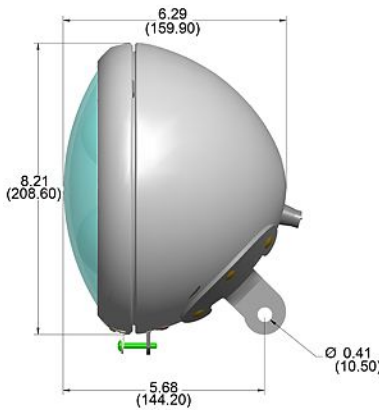
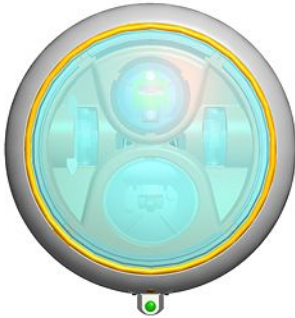




Model 8701 Driving Beam (left) and High/Low Beam (right) LED Headlights



Dimensions in inches (mm in parentheses).  
Dimensions are for reference only.

### Product List

Model Number	Description
8701-12/24V	12-24V LED High/Low Headlight in Chrome Bucket
8701-12/24V	12-24V LED Driving (High Beam Only) Headlight in Chrome Bucket

### Features & Benefits

- 1,900 Raw Lumens; 950 Effective Lumens
- Available in a 12-24V DC configuration
- High/low beam version (black reflector) or high beam only version (chrome reflector) available
- Right-hand and left-hand traffic configurations of high/low headlamp available
- Durable glass lens stands up to harsh environmental conditions
- Rugged solid state LEDs can withstand shock & vibration
- Long-lasting LEDs mean never having to replace another bulb again!
- Die-cast aluminum housing provides maximum protection
- Retrofits type 2D1 (PAR5) sealed beams
- Also available in a variety of other configurations:
  - Headlight without mounting assembly (Model 8700)
  - Headlight with side mount bucket assembly (Model 8702)
  - Headlight with motorcycle ring kit assembly (Model 8703)
  - Headlight in panel mount bucket assembly (Model 8704)

### General Specifications

<b>Lens Material :</b>	Glass
<b>Warranty:</b>	4-year Limited Warranty
<b>Housing Material :</b>	Die-Cast Aluminum
<b>Mounting :</b>	Replaces PAR56
<b>Mating Connector:</b>	AMP (#172615-2)

### Technical Specifications

High/Low Beam Version	Driving (High Only) Beam Version
12-24V DC Input	12-24V DC Input
2.50 Amps @ 12V DC	2.50 Amps @ 12V DC
1.30 Amps @ 24V DC	1.30 Amps @ 24V DC
Raw Lumen Output: 1,350 (Low Beam); 1,350 (High Beam)	Raw Lumen Output: 1,900
Effective Lumen Output: 650 (Low Beam); 760 (High Beam)	Effective Lumen Output: 950

### Standards Compliance

Buy America Compliant	ECE Reg. 10 (EMI)
ECE Reg. 112	Sealed to IP67

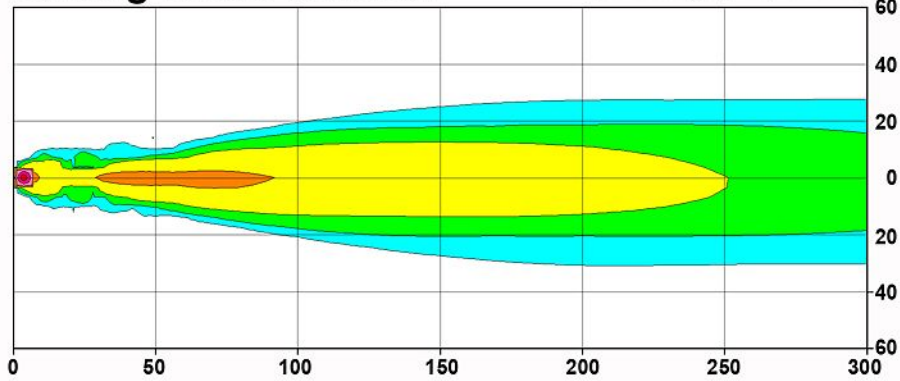
### Applications

Agricultural	Construction	Fire & Rescue
Forestry	Industrial	Law Enforcement
Lawn & Garden	Military	Mining
Off-Highway	On-Highway	Recreational
Specialty Trucks	Utility	

# Model 8701

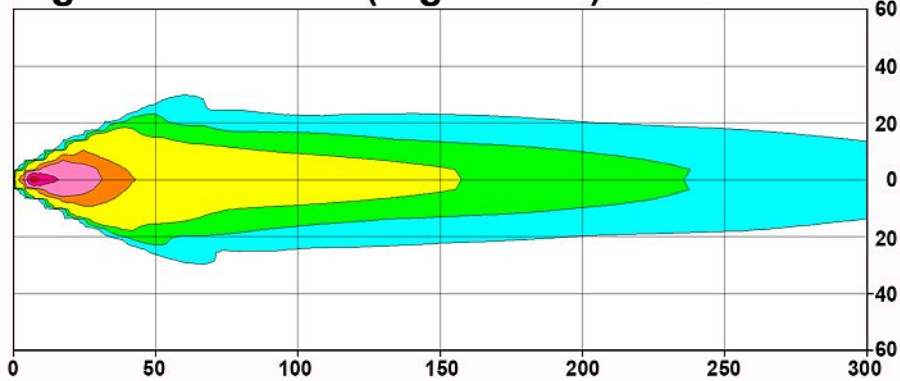
## Driving Beam Version

(1.0m high, -0°) 72 Max.



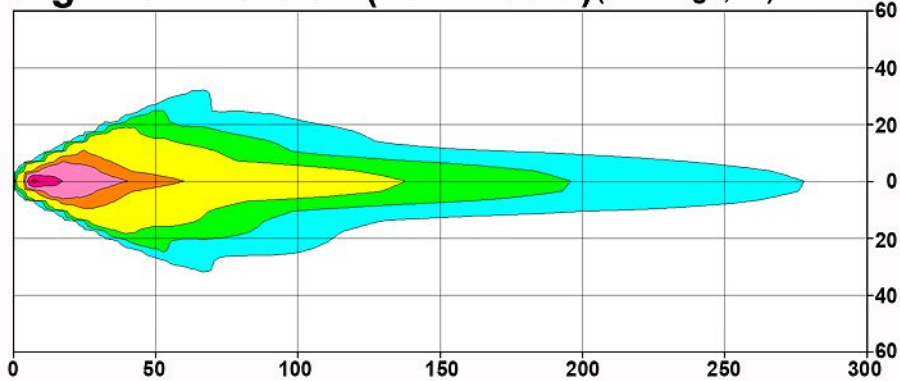
## High/Low Version (High Beam)

(1.0m high, -0°) 68 Max.



## High/Low Version (Low Beam)

(1.0m high, -0°) 60 Max.



0.25 0.50 1.0 5.0 10 25 50 Lux