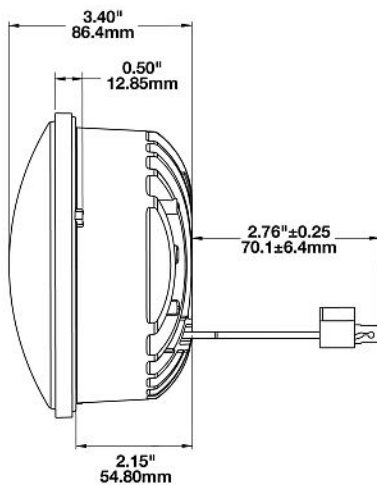
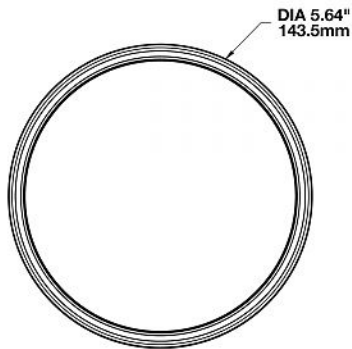




Model 8630 LED Headlight (3/4 Front View)



Dimensions in inches (mm in parentheses).  
Dimensions are for reference only.

### Product List

Model Number	Description
8630-12/24V	12-24V LED High/Low Beam Headlight
8630-12/24V	12-24V LED High Beam Only Headlight

### Features & Benefits

- 1,200 Raw Lumens; 600-650 Effective Lumens
- Available in a 12-24V DC configuration
- Choose between high/low or high beam only versions
- Your choice of glass or hardcoated polycarbonate lens
- Rugged solid state LEDs can withstand shock & vibration
- Long-lasting LEDs mean never having to replace another bulb again!
- Die-cast aluminum housing provides maximum protection
- Replaces PAR46 (5.75" Round) headlights
- Features integrated front position light
- DOT, ECE LH traffic, and ECE RH traffic configurations available
- Optional mounting assembly configurations available (see Photo Gallery):
  - Mining haul truck retrofit kit (Light included. Part # 0547671)
  - Single ring assembly (Light not included. Part # 8200001)
  - Double ring assembly (Light not included. Part # 3157751)
- [Installation & Aiming Instructions](#)

### General Specifications

<b>Lens Material :</b>	Glass or Hardcoated Polycarbonate
<b>Housing Material :</b>	Die-Cast Aluminum
<b>Mounting :</b>	Replaces PAR46 headlights
<b>Mating Connector:</b>	AMP (#172615-2)

### Technical Specifications

#### High/Low Beam Version

12-24V DC Input  
 10.5-32V DC Operating Voltage  
 2.00 Amps @ 12V DC  
 1.00 Amps @ 24V DC  
 Raw Lumen Output: 1,200 (Low Beam);  
 1,200 (High Beam)  
 Effective Lumen Output: 600 (Low Beam);  
 650 (High Beam)

#### High Beam Only Version

12-24V DC Input  
 10.5-32V DC Operating Voltage  
 2.00 Amps @ 12V DC  
 1.00 Amps @ 24V DC  
 Raw Lumen Output: 1,200 (High Beam Only)  
 Effective Lumen Output: 650 (High Beam Only)

### Standards Compliance

DOT-Compliant

CMVSS 108

ECE Reg. 7 (ECE Versions Only)

Sealed to IP67

FMVSS 108

Buy America Compliant

ECE Reg. 112 (Class B - ECE Versions Only)

### Applications

Agricultural

Forestry

Lawn & Garden

Off-Highway

Specialty Trucks

Construction

Industrial

Military

On-Highway

Utility

Fire & Rescue

Law Enforcement

Mining

Recreational

### Additional Info

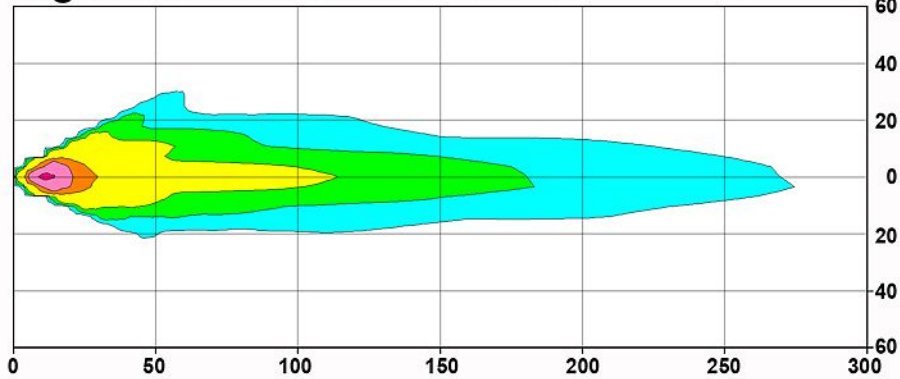
Wires: Yellow=Low Beam, White=High Beam, Black=Ground

Transient Spike Protection: 150V Peak @ 1 HZ-100 Pulses

Headlight must be securely mounted and properly aimed such that the beam pattern "cut off line" complies with all applicable regulations. If you are not familiar with the legal requirements for aiming your headlights, please see a professional service provider. We recommend that headlights are aimed with a headlight aiming system for proper alignment.

# Model 8630

**High Beam Pattern (1.0m high, -0°)** 32.30 Max.



**Low Beam Pattern (1.0m high, -0°)** 33.92 Max.

