

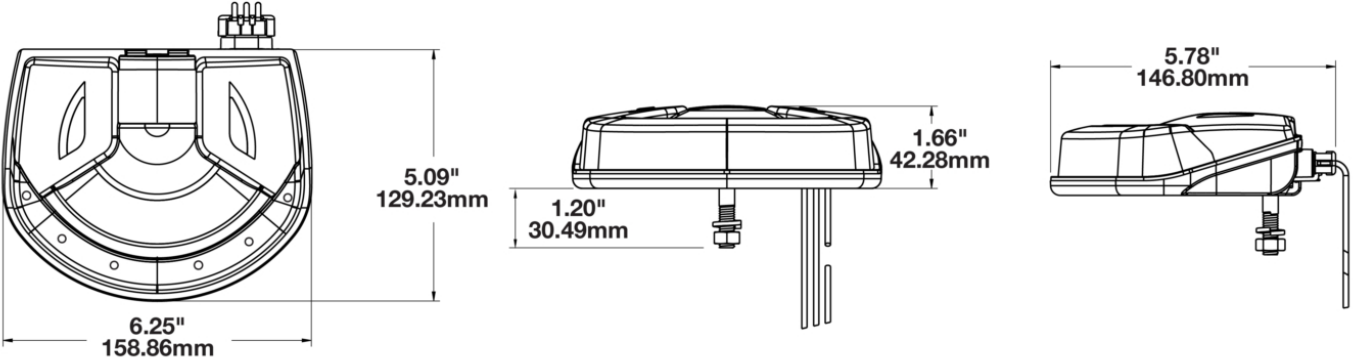
Mounting Kit For Model 710 Work Light

PRODUCT INFORMATION

Description	Mounting Kit For Model 710 Work Light
Mounting Hardware Description	(x2) M8-40 Clickbond Stud with Lockwasher and Nut
Shipping Weight	1.00 lbs / 0.45 kgs



PRODUCT DIMENSIONS



Print date: 2018-08-20

© 2018 J.W. Speaker Corporation • Germantown, WI U.S.A.
www.jwspeaker.com • speaker@jwspeaker.com • 262.251.6660



Mounting Kit For Model 710 Work Light

SUITS THESE PRODUCTS



Low Profile LED
Warehouse Work
Light

Warehouse LED Work
Light - Model 710

Print date: 2018-08-20

© 2018 J.W. Speaker Corporation • Germantown, WI U.S.A.
www.jwspeaker.com • speaker@jwspeaker.com • 262.251.6660