

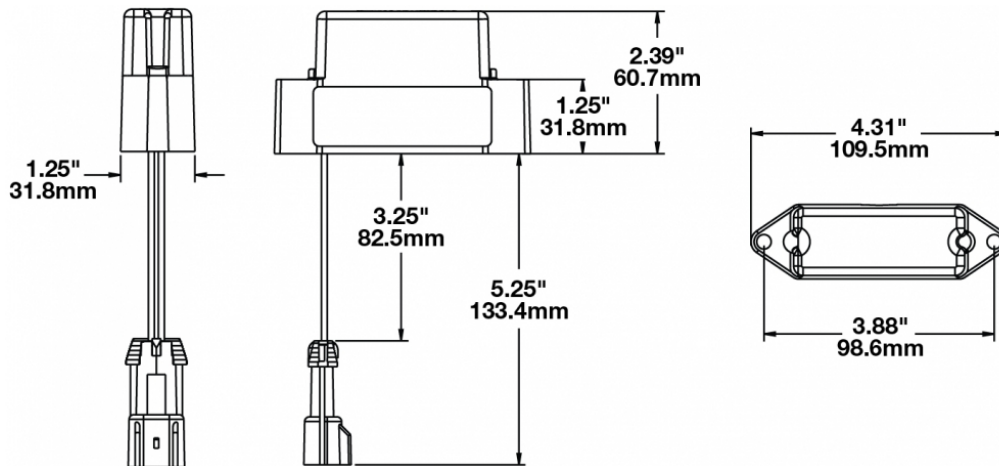
Flasher Control - Model 6310

PRODUCT INFORMATION

Description	12-24V Flasher Control
Height	60.71 mm / 2.39 in
Width	109.47 mm / 4.31 in
Depth	31.75 mm / 1.25 in
Housing Material	Polycarbonate
Housing Color	Black
Mounting Type	Low Profile Mount
Connector or Wiring	9" Bare Leads
Product Weight	0.42 lbs / 0.19 kgs



PRODUCT DIMENSIONS



Print date: 2018-02-21

© 2018 J.W. Speaker Corporation • Germantown, WI U.S.A.
www.jwspeaker.com • speaker@jwspeaker.com • 262.251.6660

J.W. SPEAKER
 Engineered. Lighting. Solutions.

Flasher Control - Model 6310

ELECTRICAL SPECIFICATIONS

Input Voltage	12-24V DC
Current Draw	15A @ 12V DC

REGULATORY STANDARDS COMPLIANCE

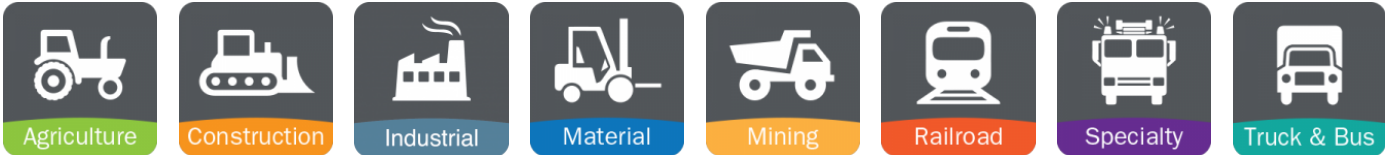


Buy America Standards MIL-STD 461

PHOTOMETRIC SPECIFICATIONS

Flash Rate 1 70 +/- 10 fpm

APPLICATIONS



Print date: 2018-02-21

© 2018 J.W. Speaker Corporation • Germantown, WI U.S.A.
 www.jwspeaker.com • speaker@jwspeaker.com • 262.251.6660

