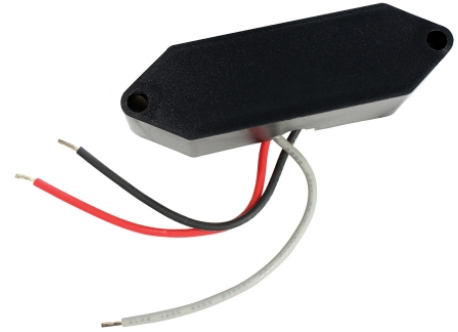


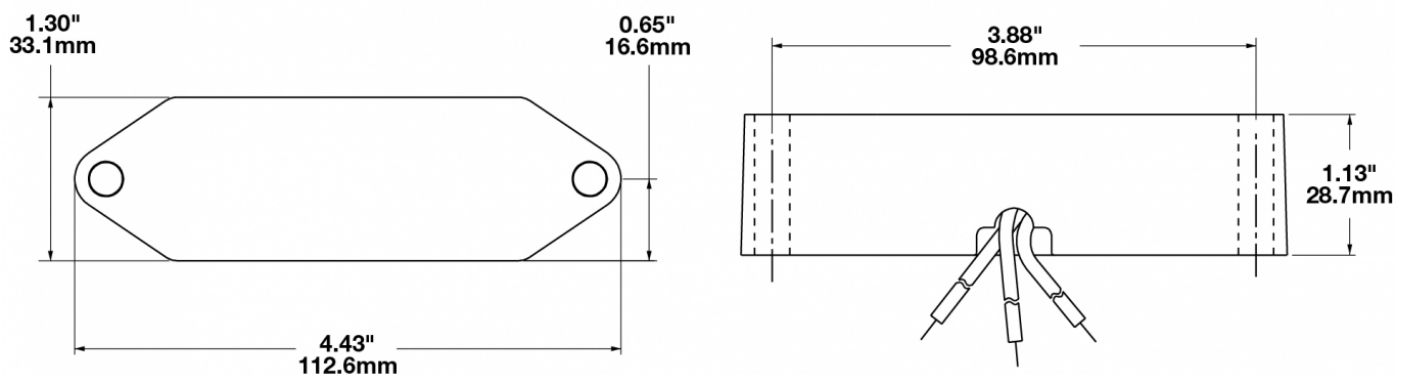
EMI Filter - Model 631

PRODUCT INFORMATION

Description	12-48V EMI Filter
Height	28.70 mm / 1.13 in
Width	111.00 mm / 4.37 in
Depth	33.27 mm / 1.31 in
Mounting Type	Low Profile Mount
Product Weight	0.24 lbs / 0.11 kgs
Shipping Weight	4.12 lbs / 1.87 kgs
Additional Information	The Flasher and Filter should be mounted where good air circulation exists and way from heat sources.



PRODUCT DIMENSIONS



Print date: 2018-05-20

© 2018 J.W. Speaker Corporation • Germantown, WI U.S.A.
 www.jwspeaker.com • speaker@jwspeaker.com • 262.251.6660

J.W. SPEAKER
 Engineered. Lighting. Solutions.

EMI Filter - Model 631

ELECTRICAL SPECIFICATIONS

Input Voltage	12-48V DC
Red Wire	Positive
Black Wire	Negative
White Wire	Flasher

REGULATORY STANDARDS COMPLIANCE



Buy America Standards

Print date: 2018-05-20

© 2018 J.W. Speaker Corporation • Germantown, WI U.S.A.
www.jwspeaker.com • speaker@jwspeaker.com • 262.251.6660